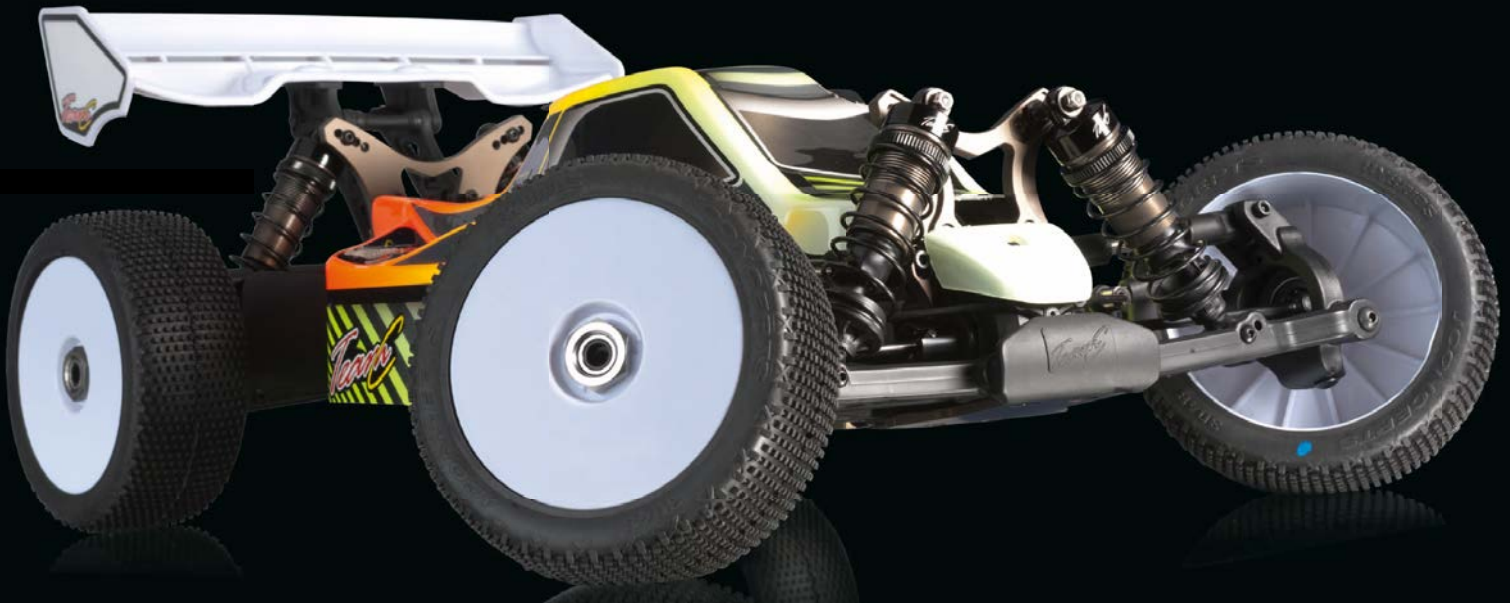


TEB

1:8 SCALE 4WD NITRO PRO RACING BUGGY



Team

Notice

Thank you for purchasing this T8 Nitro Buggy by Team C. This manual shows instructions and tips to built and maintain your T8. Please take some time to read through to get familiar with the shown steps.

We continually improve our products, due to that, actual parts my be different to the illustrations. Please check our website for the latest versions manuals and tips before you start to built this model.

This manual is written in english language only. If you need a manual in your language please visit our website or contact your distributor!

Diese Anleitung wurde in englischer Sprache verfasst. Sollten sie eine Anleitung in ihrer Sprache benötigen, besuchen sie unsere website oder konaktieren sie ihren Vertriebsagenten.

Questo manuale è stato scritto in inglese. Se avete bisogno del manuale nella tua lingua, si prega di visitare il nostro sito web o contattate il proprio distributore.

Este manual está escrito en Inglés. Si necesita el manual en su idioma, por favor visite nuestro sitio web o contacte con su distribuidor.

Ce manuel est écrit en langue anglaise. Si vous avez besoin d'un manuel dans votre langue s'il vous plaît visitez notre site web ou contactez votre distributeur!

Deze handleiding is geschreven in het Engels taal beschikbaar. Als u een handleiding in uw eigen taal kunt u terecht op onze website of neem contact op met uw distributeur!

Generall Information

THIS IS NOT A TOY!

Not suitable for children under 14 years of age without adult supervision.

This is a high performance vehicle, for safety reason don't run on public streets, in crowded areas, environmentally areas or near children or animals.

This model contains rotating parts and parts which become hot during operation. Care must been taken to avoid damage or injuries.

This product may require some assembly and routine maintance.

This product is covered by warranty based on material defectives. Crash damage or maintenance failures are not covered under warranty.

Batteries should be used in good condition only, and need to be fully charged.

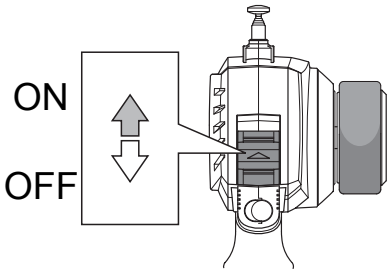
Nitro models should be driven outside of buildings only. Inhaling exhaust gases could cause health damage.

Keep chemicals stored out of the range of small children.

Make sure your model and equipment is in perfect condition before you use it, to ensure savety and fun while driving.

Transmitter Preparation

Power Switch



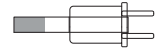
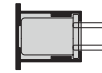
Antenna

Extend the antenna to the maximum Length for best performance

27MHz Transmitter Crystal (TX)

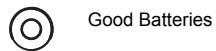
Transmitter crystal(TX)

Receiver crystal(RX)



The crystal can be replaced to change frequencies.
Note : You must also change receiver crystals!
Do not use AM crystals

Battery Level Indicator



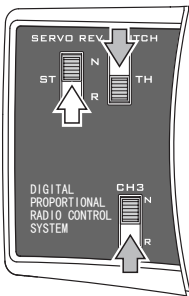
Good Batteries



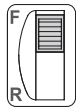
Low Batteries(Light Blinks)

Reverse Switch 反向开关

! Servo Factory Settings

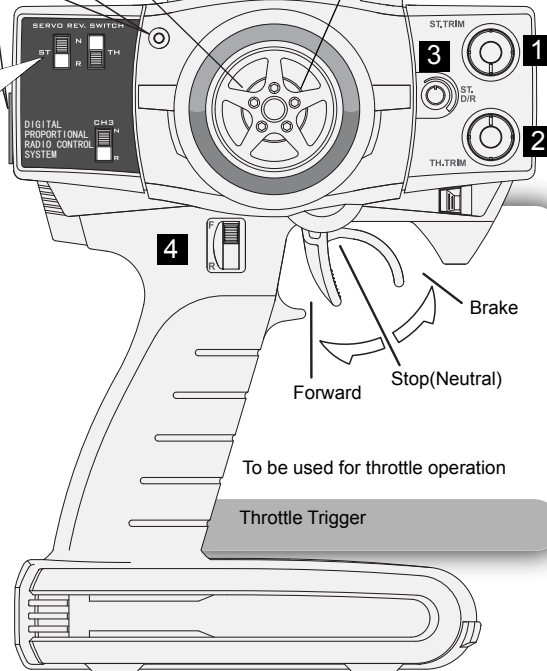


4 3ch Switch



This switch is used for optional parts.

Left turn Straight (neutral) Right turn



1 Steering Trim



To be used for trimming the steering operation

2 Throttle Trim



To be used for trimming the throttle operation

3 Steering Dual Rate

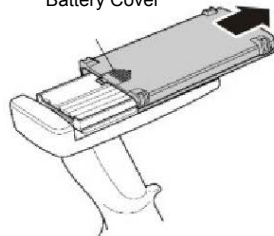


To be used to adjust steering servo throw

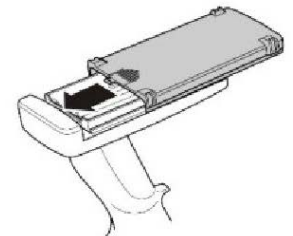
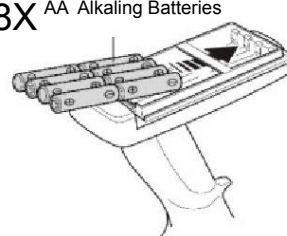
Transmitter Battery Installation

Open battery cover at the bottom of transmitter. Install batteries. Follow the direction of batteries designated in the inside of battery box.

Battery Cover



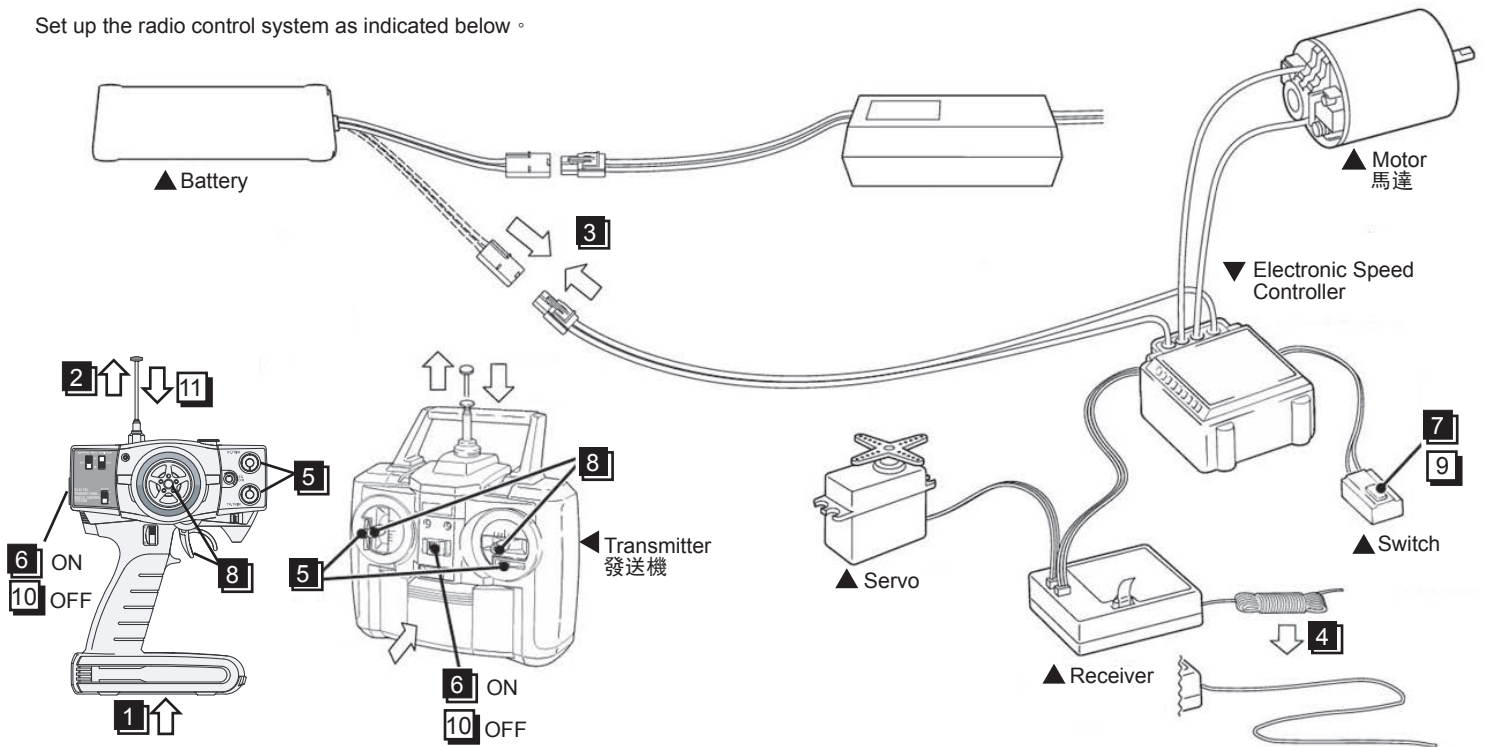
8X AA Alkaling Batteries



Transmitter Preparation

A new Ni-MH battery must be charged before it is used. Refer to the charger instruction manual for charging.

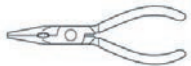
Set up the radio control system as indicated below.



- **Start**
 - 1 Install batteries.(Transmitter)
 - 2 Extend the antenna.(Transmitter)
 - 3 Connect the battery
 - 4 Extend the antenna.(Receiver)
 - 5 Center the trims.
 - 6 Switch on.(Transmitter)
 - 7 Switch on.(Receiver)
 - 8 Make sure the servos are in command.
- **Finish**
 - 9 Switch off.(Receiver)
 - 10 Switch off.(Transmitter)
 - 11 Retract the antenna(Transmitter)

Tools required

● Needle Nose Pliers



● Awl



● Grease



● Screw Cement



● Instant Glue



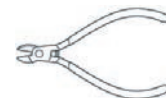
● Ball differential Grease(Clear)



● SP KINFE EDGE REAMER



● Wire Cutters



● ROUND CUTTER&SANDER

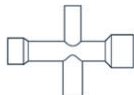


● Molybdenum Grease(Black)



● Hex Wrench

● Hex Wrench



No need to pre-drill precise holes
(1mm to 15mm) can be drilled

● Sharp Hobby knife

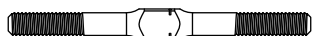


For trimming bodies!

1 Servo Saver Turnbuckle

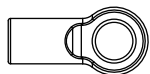
Bag-A

T08643 3x40 Turnbuckle



.....1

T08606 5.8 Ball End



.....2

T08606 5.8 Ball stud



.....2

T08666 M3 Nylon Nut



.....1

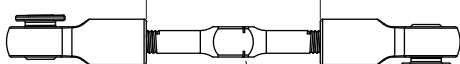
T08674 M3x15 Screw



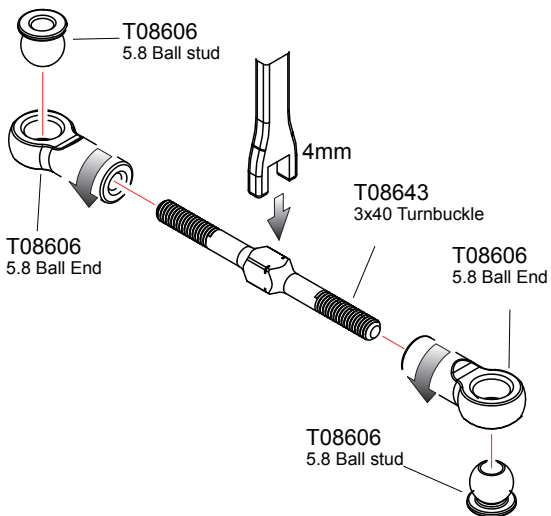
.....1

1:1

Approx. 23mm



▲ Note direction



Select the servo horn matching the servo being used.



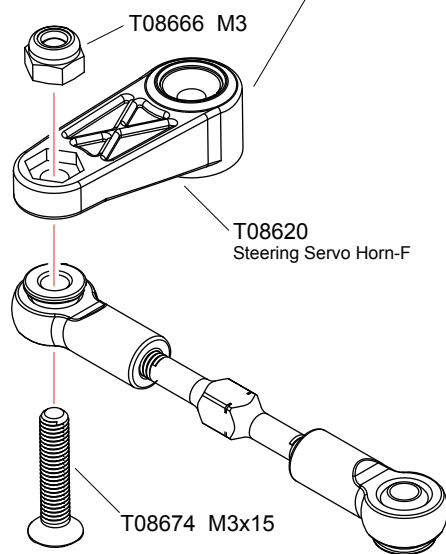
Futaba-25T



Hitec-24T



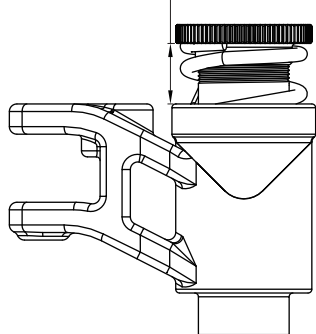
Sanwa/JR/KO-23T



2 Buffer

Bag-A

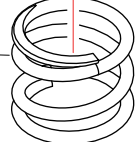
Approx. 8mm



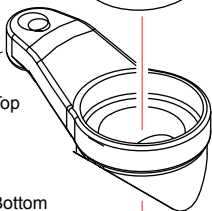
T08650 Servo Saver Nut



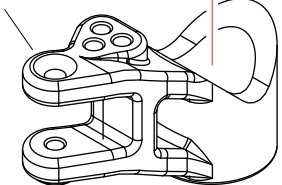
T08650 Servo Saver Spring



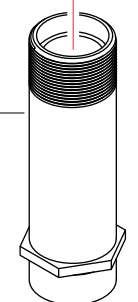
T08609 Servo Saver-Top



T08609 Servo Saver-Bottom



T08650 Servo Saver Body



T08651 Buffer Screw



.....2

T02081 3x7x0.8 Washer



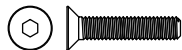
.....2

T08666 M3 Nylon Nut

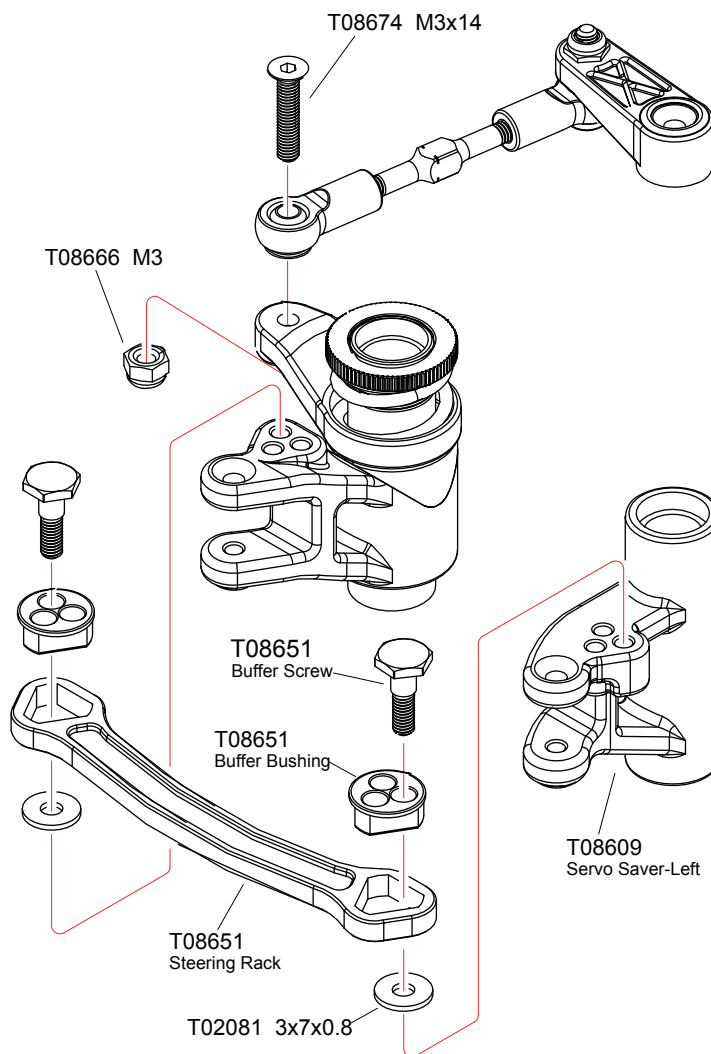


.....1

T08674 M3x14 Screw

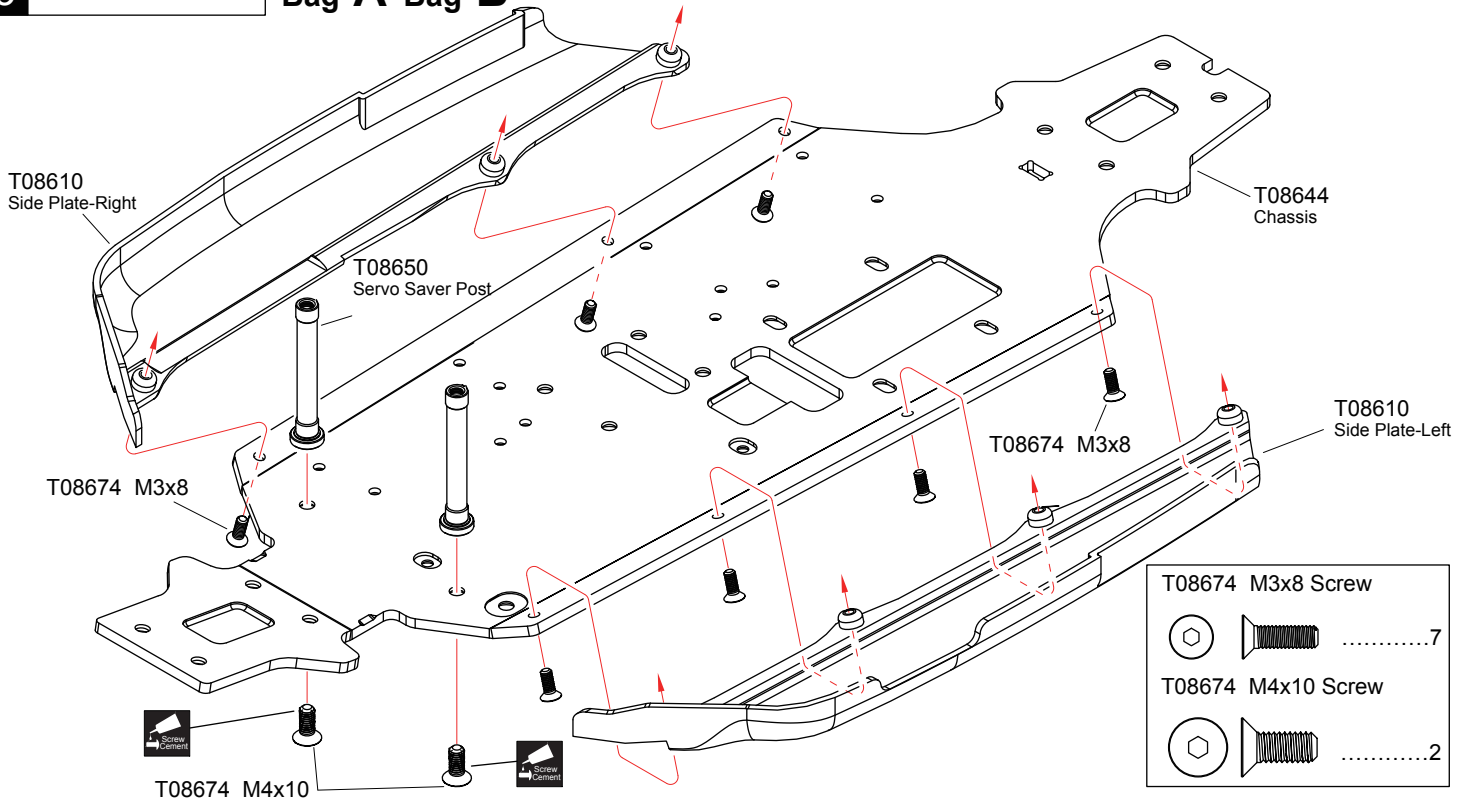


.....1



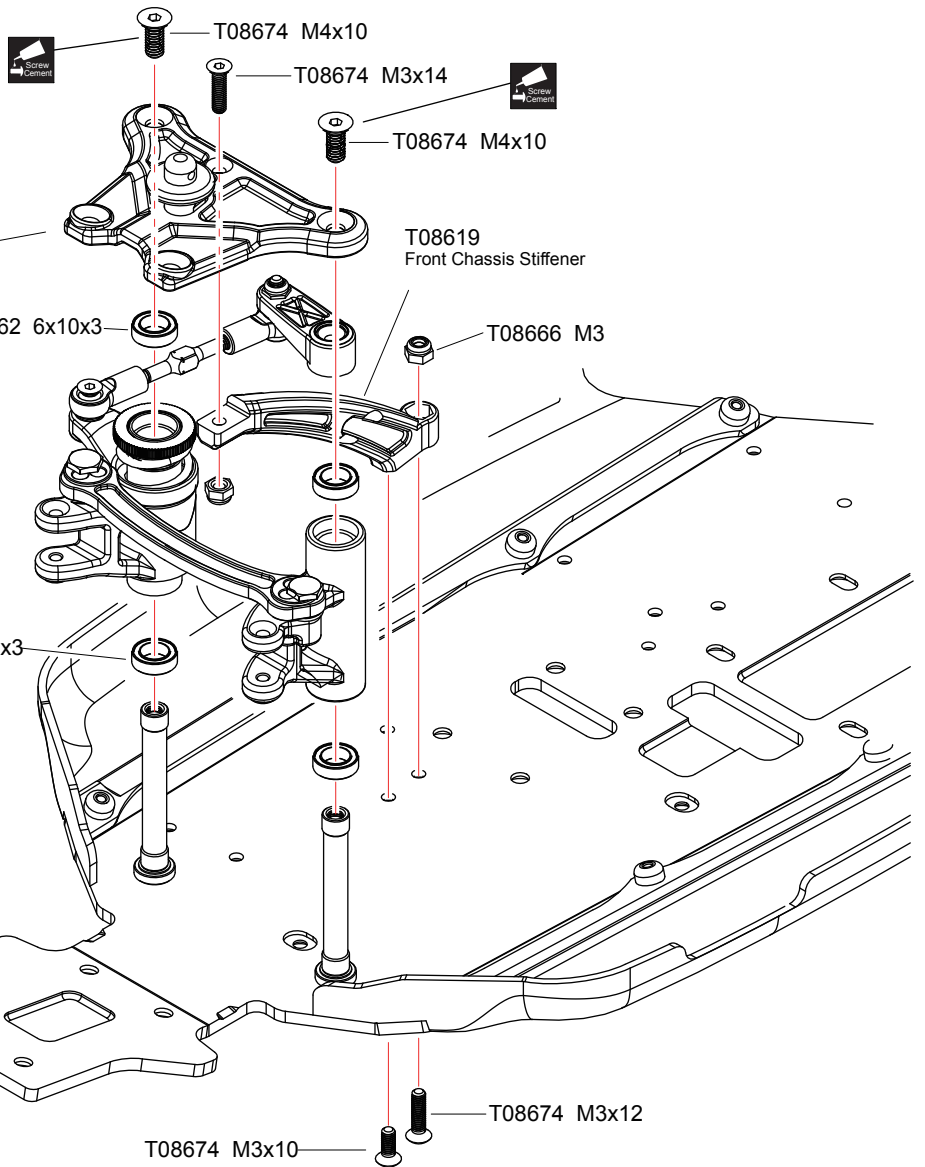
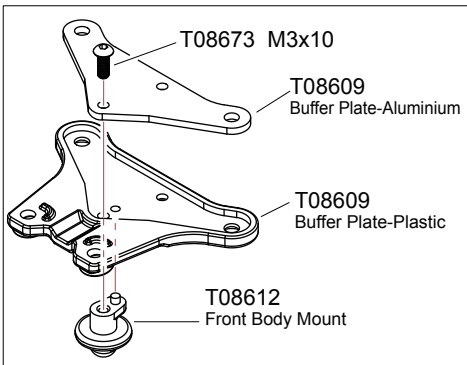
3 Servo Saver Post/Side Plate

Bag-A Bag-B



4 Buffer

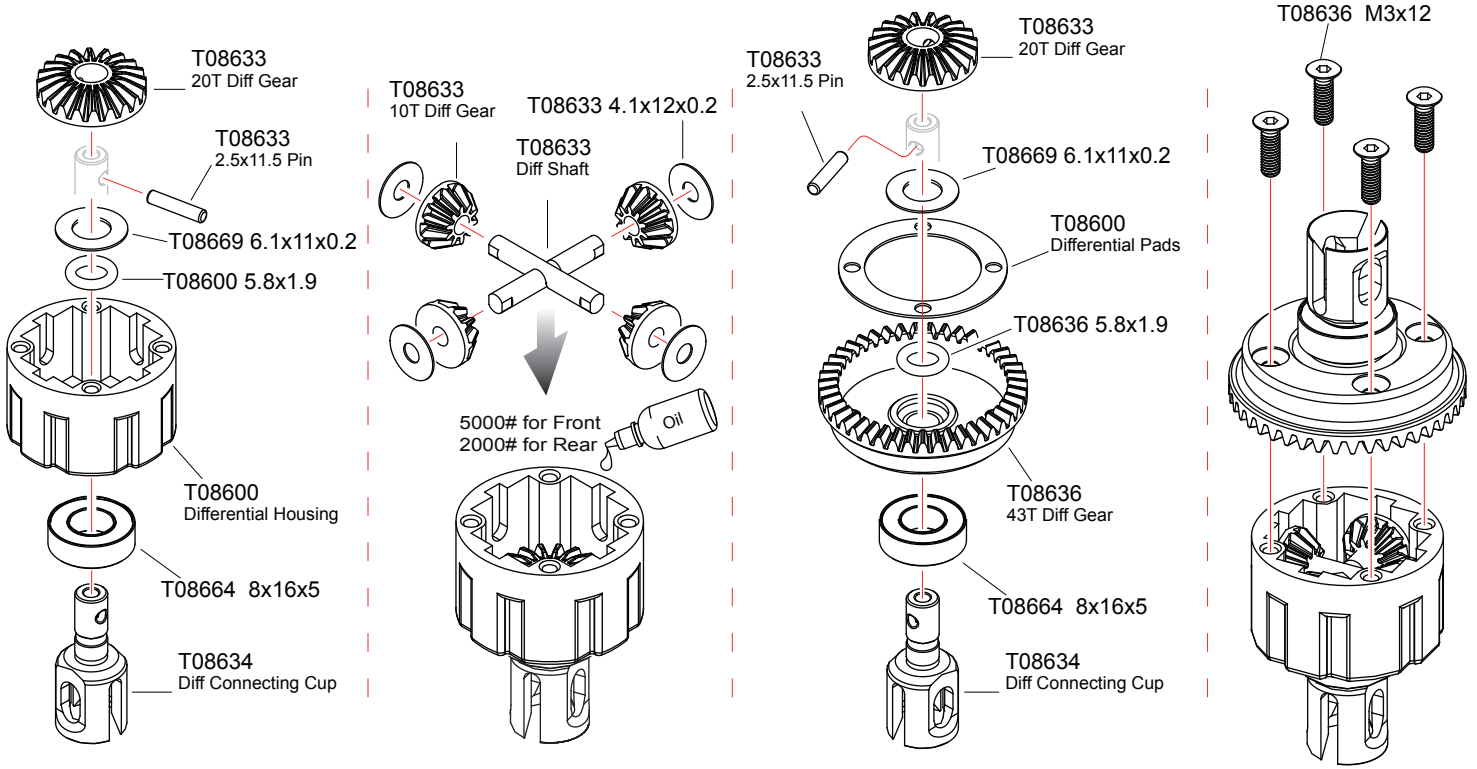
Bag-A



Apply threadlock (screw cement)

5 Front/Rear Differential

x2 Bag-C

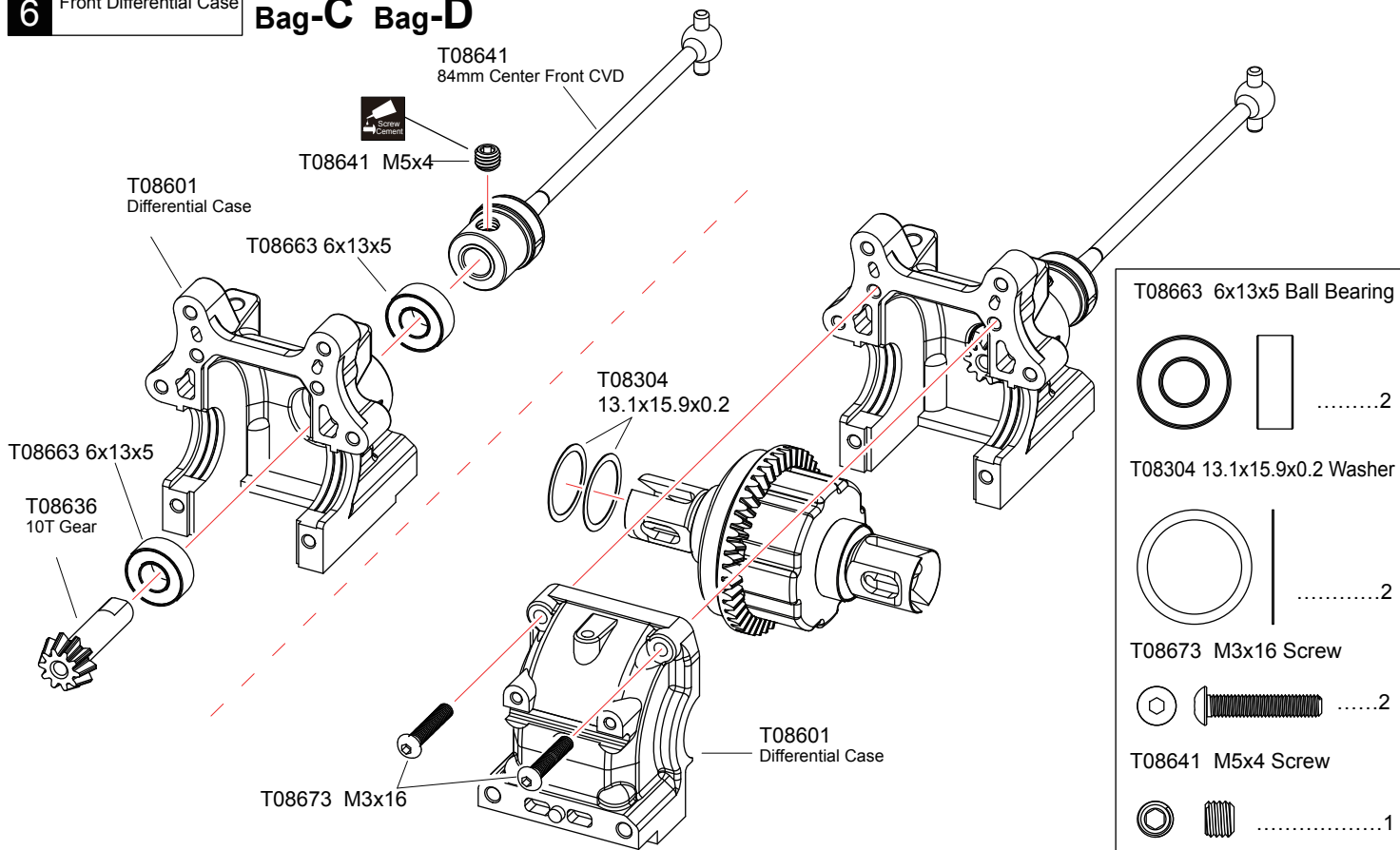


T08600/T08636 5.8x1.9 O-Ring T08633 4.1x12x0.2 Washer T08669 6.1x11x0.2 Washer T08664 8x16x5 Ball Bearing T08636 M3x12 Screw



6 Front Differential Case

Bag-C Bag-D



T08663 6x13x5 Ball Bearing



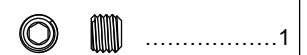
T08304 13.1x15.9x0.2 Washer



T08673 M3x16 Screw



T08641 M5x4 Screw

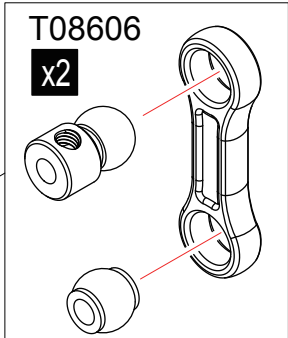
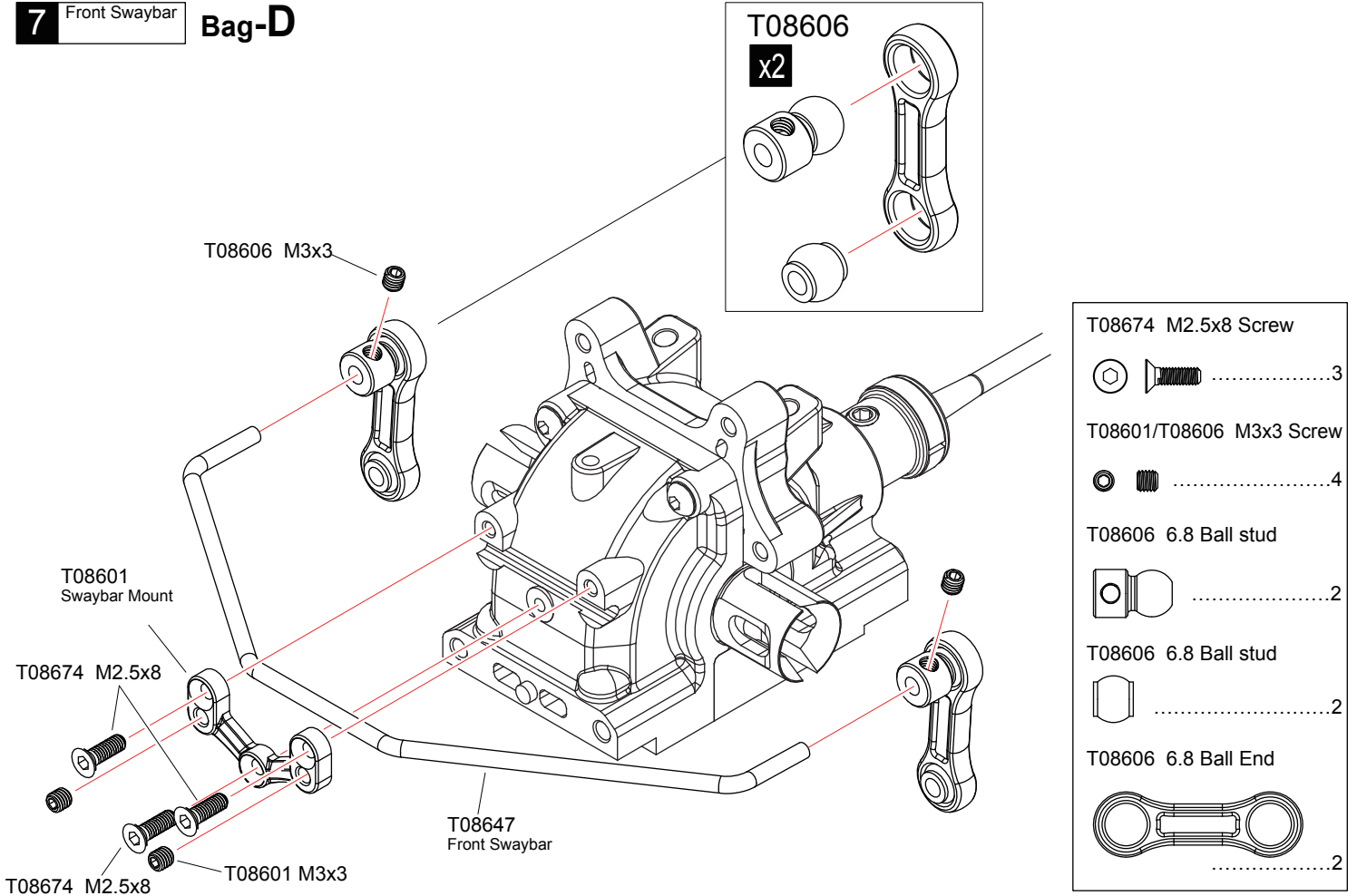


Apply threadlock (screw cement)

x2 Assemble as many times as specified

7 Front Swaybar

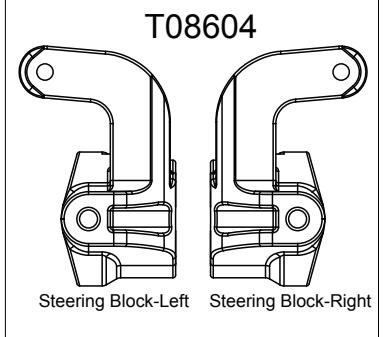
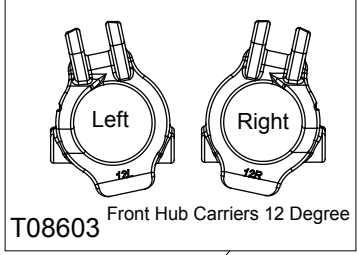
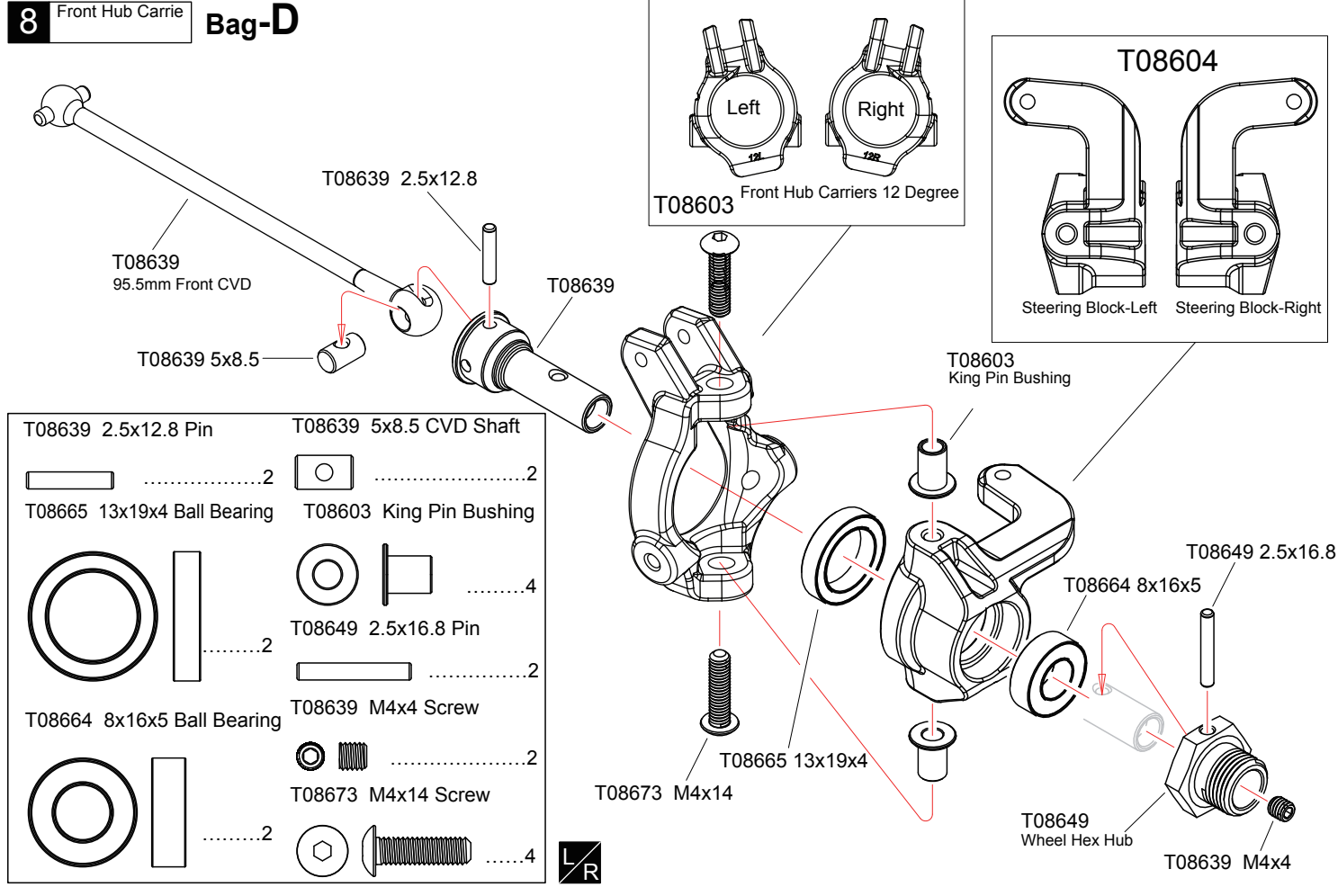
Bag-D



- T08674 M2.5x8 Screw3
- T08601/T08606 M3x3 Screw4
- T08606 6.8 Ball stud2
- T08606 6.8 Ball stud2
- T08606 6.8 Ball End2

8 Front Hub Carrie

Bag-D



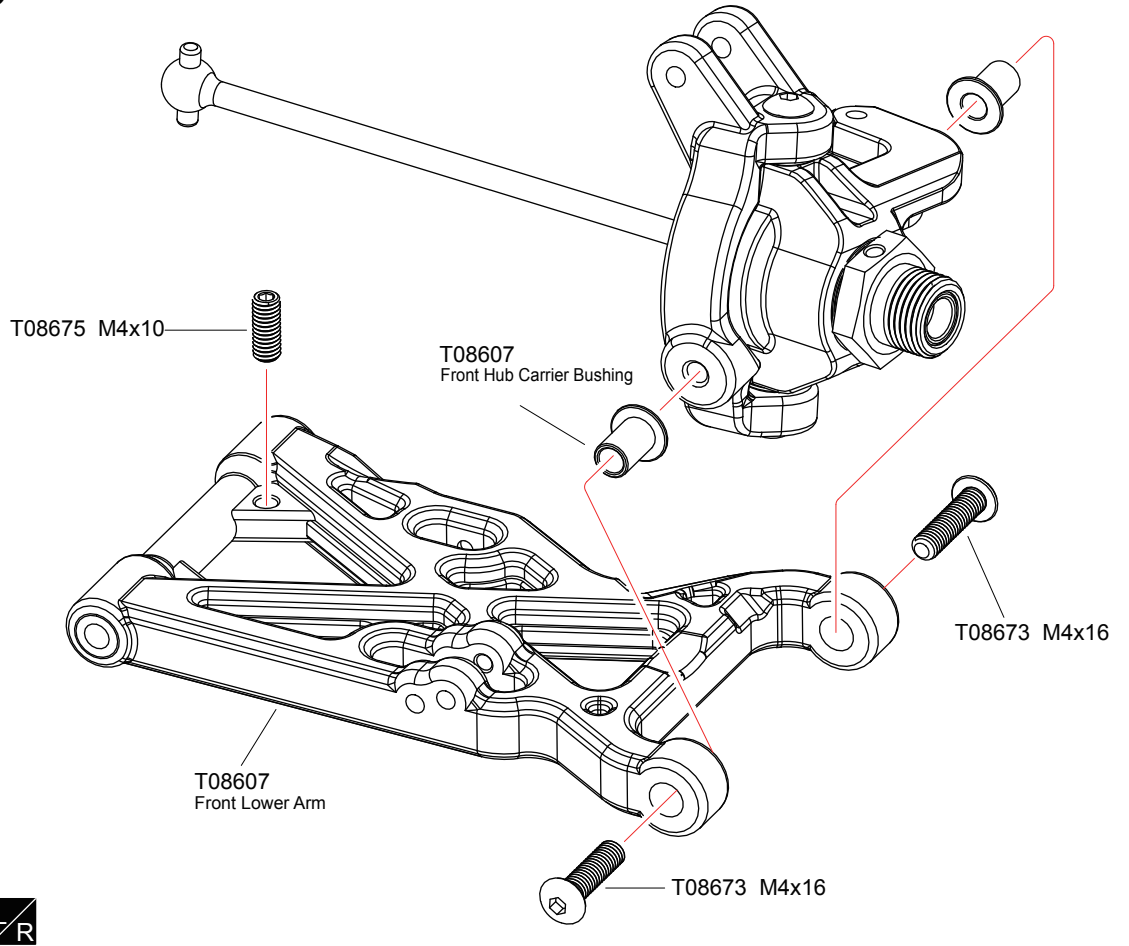
- | | |
|-------------------------------------|---------------------------------|
| T08639 2.5x12.8 Pin 2 | T08639 5x8.5 CVD Shaft 2 |
| T08665 13x19x4 Ball Bearing 2 | T08603 King Pin Bushing 4 |
| T08664 8x16x5 Ball Bearing 2 | T08649 2.5x16.8 Pin 2 |
| T08673 M4x14 Screw 4 | T08639 M4x4 Screw 2 |
| | T08673 M4x14 Screw 4 |



Assemble both Left and Right Assemble as many times as specified

9 Front Hub Carrier

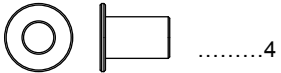
Bag-D



T08675 M4x10 Screw



T08607 Front Hub Carrier Bushing

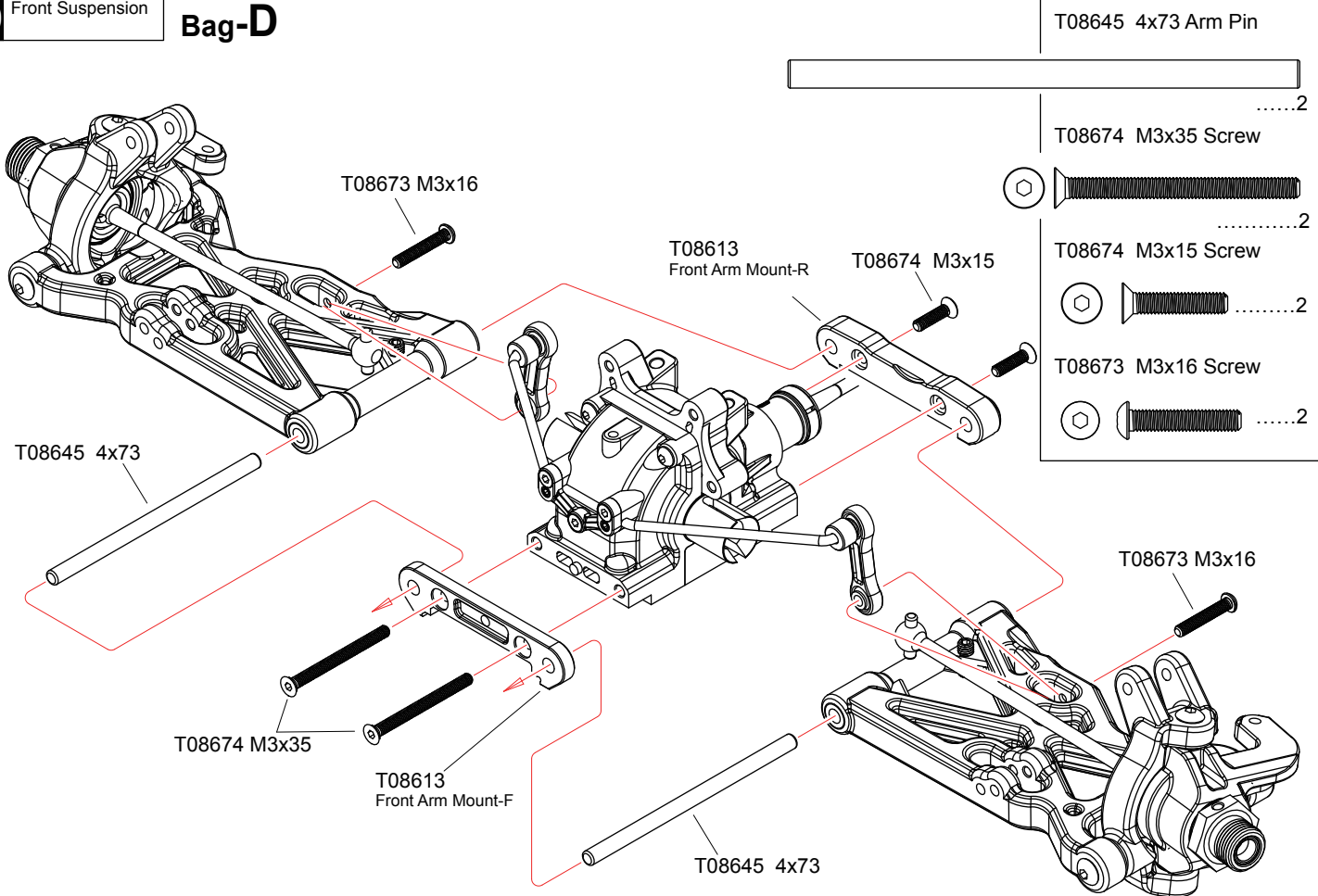


T08673 M4x16 Screw



10 Front Suspension

Bag-D



T08645 4x73 Arm Pin

.....2

T08674 M3x35 Screw



.....2

T08674 M3x15 Screw



.....2

T08673 M3x16 Screw

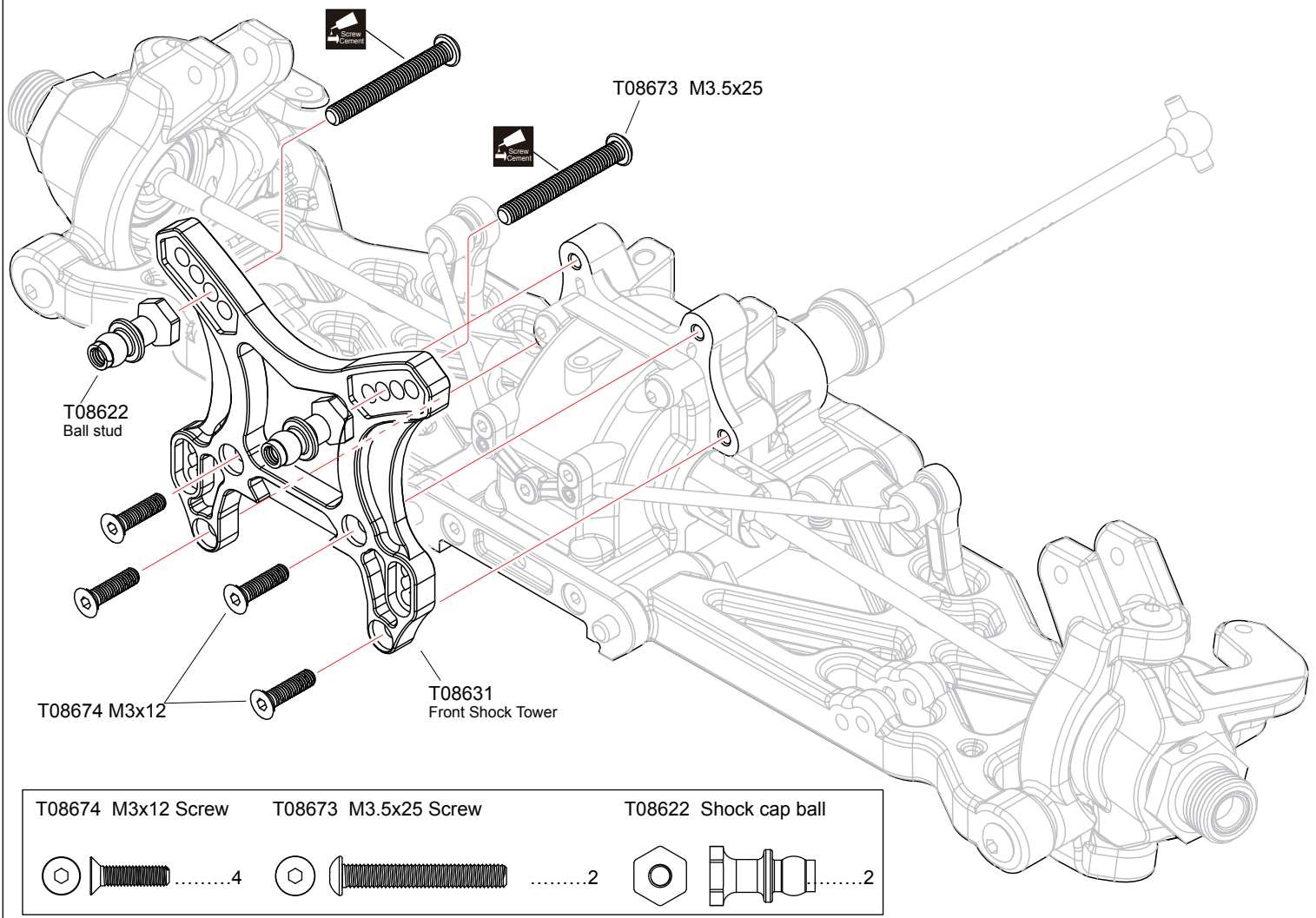


.....2

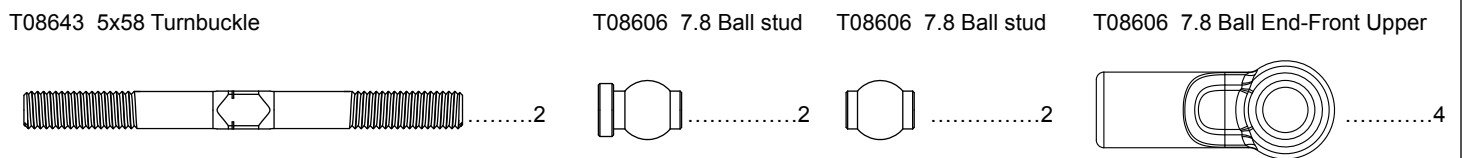
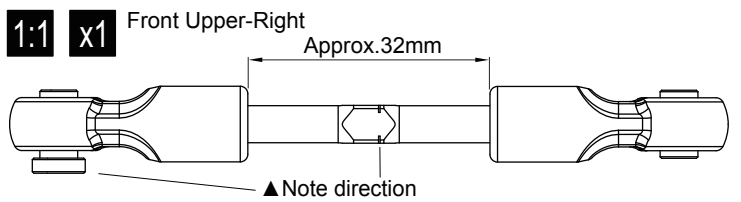
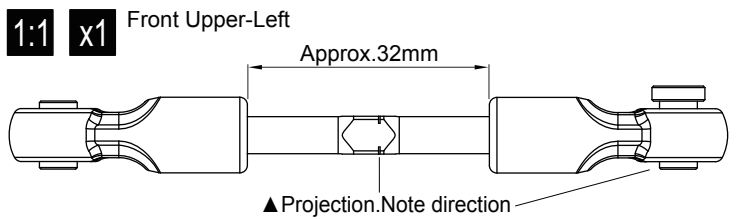
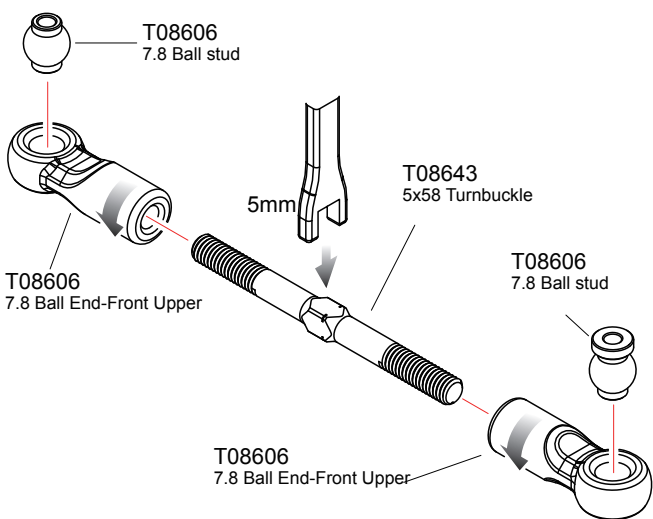
T08673 M3x16 Screw

LR Assemble both Left and Right

11 Front Shock Tower **Bag-D**

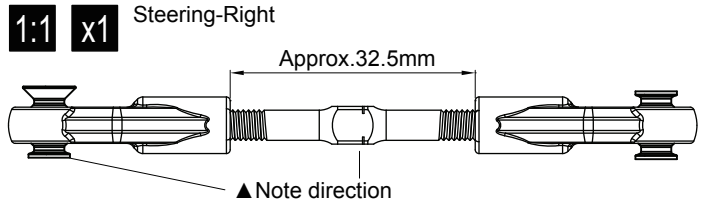
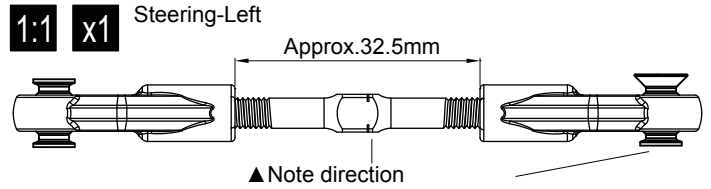
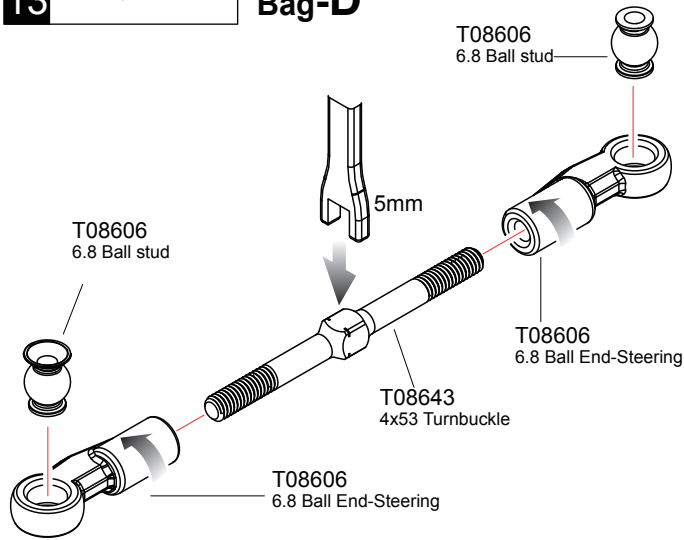


12 Front Upper Turnbuckle **Bag-D**



13 Steering Turnbuckle

Bag-D

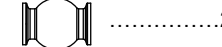
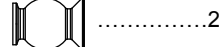
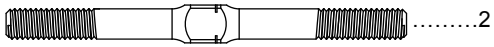


T08643 4x53 Turnbuckle

T08606 6.8 Ball stud

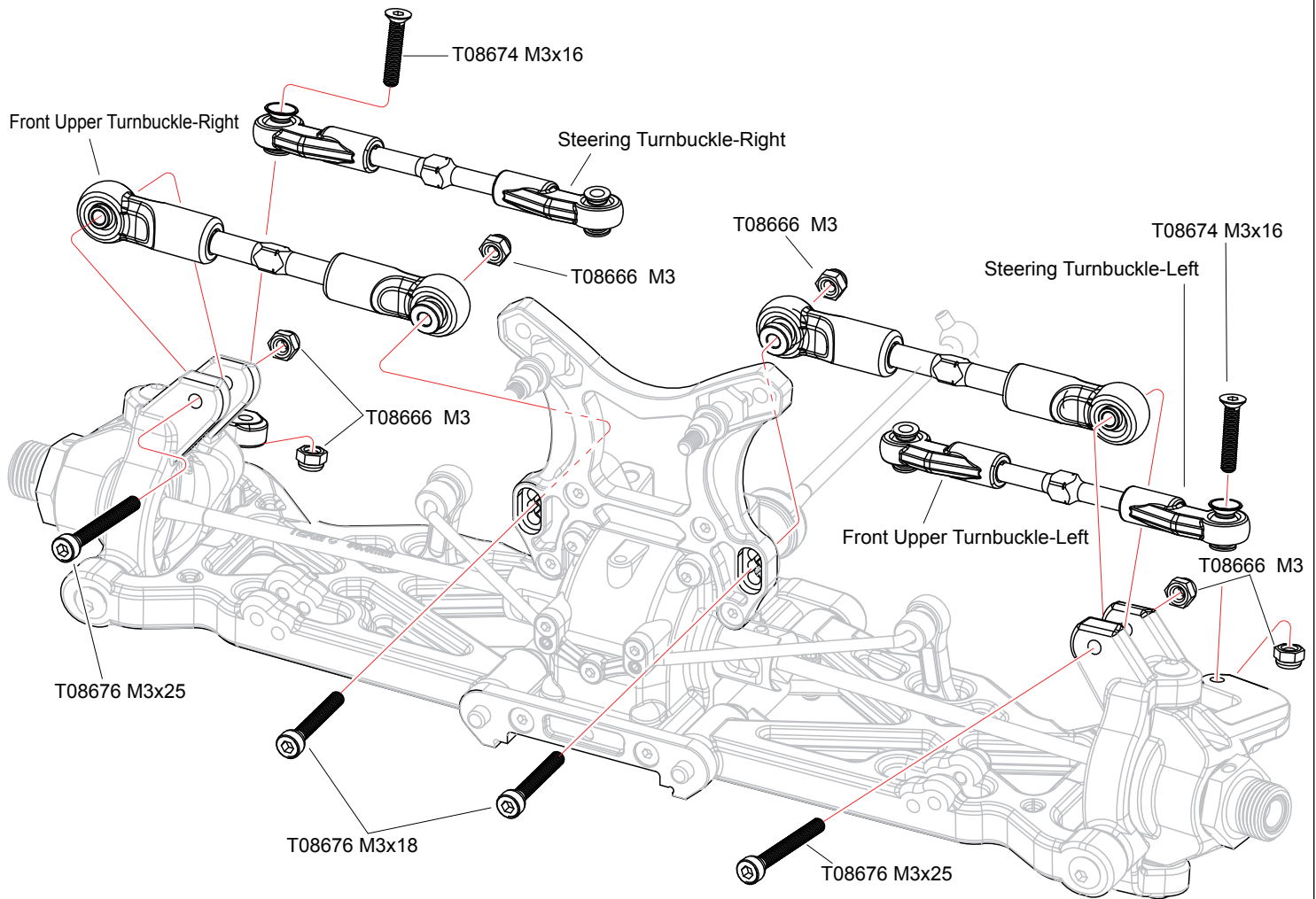
T08606 6.8 Ball stud

T08606 6.8 Ball End-Steering



14 Front Upper/Steering Turnbuckle

Bag-D

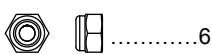


T08674 M3x16 Screw

T08666 M3 Nylon Nut

T08676 M3x25 Screw

T08676 M3x18 Screw



15 Front Suspension Bag-D

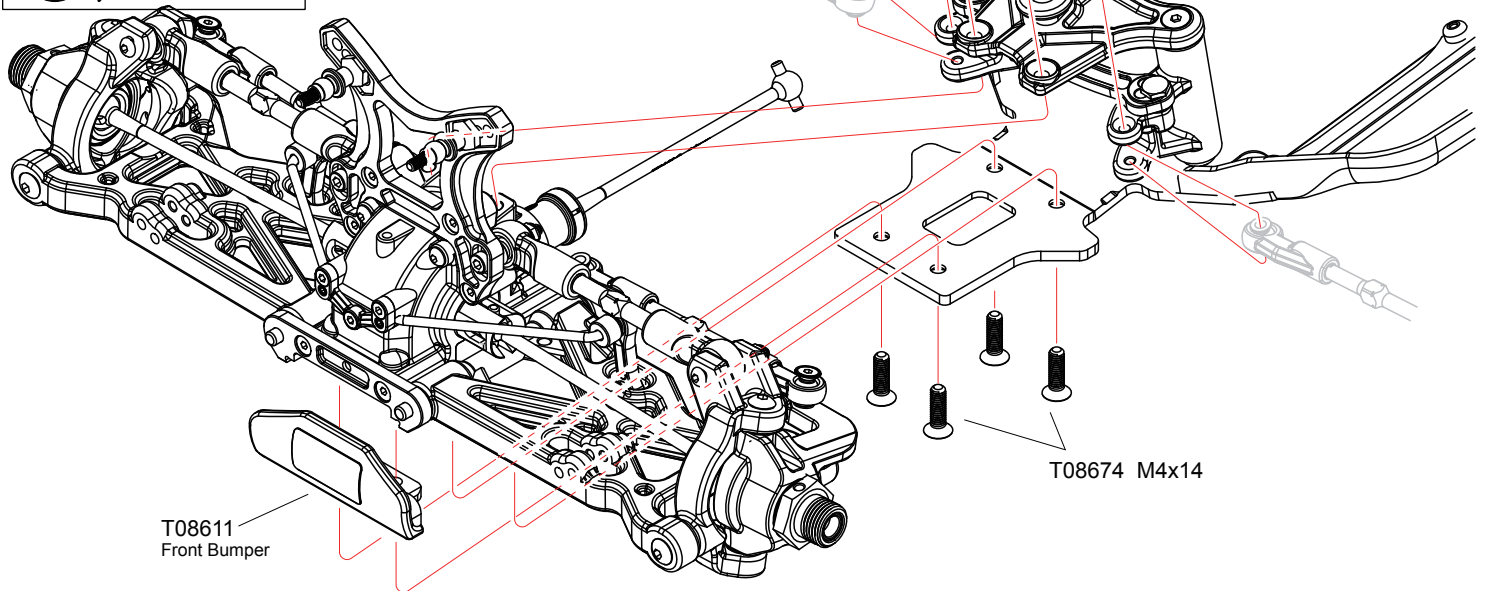
T08674 M3x18 Screw



T08674 M4x10 Screw



T08674 M4x14 Screw

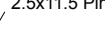


16 Center Differential Bag-C

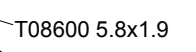
T08633 20T Diff Gear



T08633 2.5x11.5 Pin



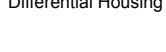
T08669 6.1x11x0.2



T08600 5.8x1.9



T08600 Differential Housing



T08664 8x16x5



T08635 Center Diff Connecting Cup



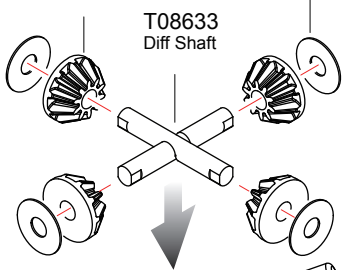
T08633 10T Diff Gear



T08633 4.1x12x0.2



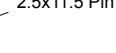
T08633 Diff Shaft



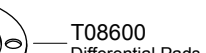
T08633 20T Diff Gear



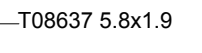
T08633 2.5x11.5 Pin



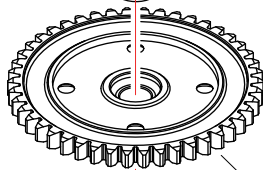
T08669 6.1x11x0.2



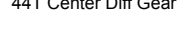
T08600 Differential Pads



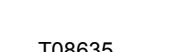
T08637 5.8x1.9



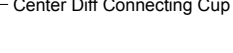
T08638 44T Center Diff Gear



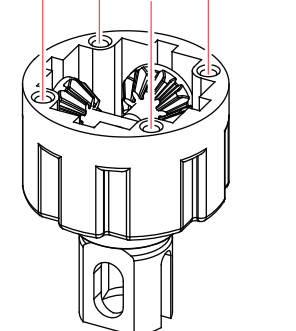
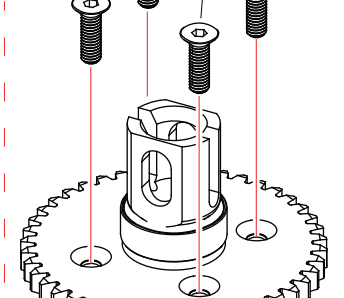
T08664 8x16x5



T08635 Center Diff Connecting Cup



T08636 M3x12

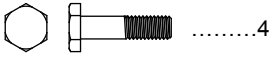


T08600/T08636 5.8x1.9 O-Ring T08633 4.1x12x0.2 Washer T08669 6.1x11x0.2 Washer T08664 8x16x5 Ball Bearing T08636 M3x12 Screw



17 Brake Bag-C

T08602 Brake Screw



T08602 Center Differential Mount-Front Top

T08602 Center Differential Mount-Rear Top

T08652 Brake Disk Rotor-Small

T08652 Disk Brake Plate

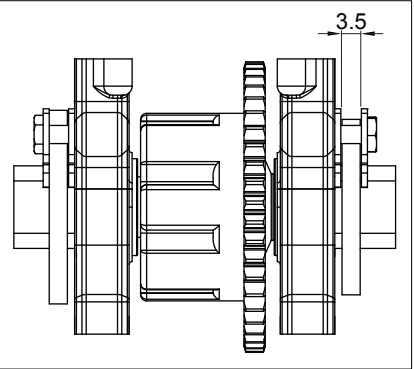
T08781 Brake Pad Spring

T08781 Brake Screw

T08652 Brake Disk Rotor-Big

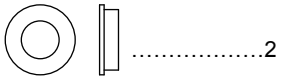
T08602 Center Differential Mount-Front Bottom

T08602 Center Differential Mount-Rear Bottom

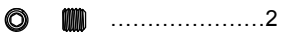


18 Brake 刹车 Bag-C

T08677 5x8x2.5 Ball bearing



T08653 M3x3 Screw



T08602 M3x8 Screw



T08602 M3x30 Screw



T08602 M3x30

T08602 M3x8

T08653 Brake Rod

T08653 M3x3

T08677 5x8x2.5

T08653 Brake Shaft-Rear

T08653 M3x3

T08677 5x8x2.5


T08653 Brake Shaft-Front

T08653 Brake Rod


Apply threadlock (screw cement)

19 Brake/Throttle **Bag-C**


T08618 M3x3 Screw

6

T08666 M2.5 Nylon Nut

1

T08666 3.1x7x1 Plastic Washer

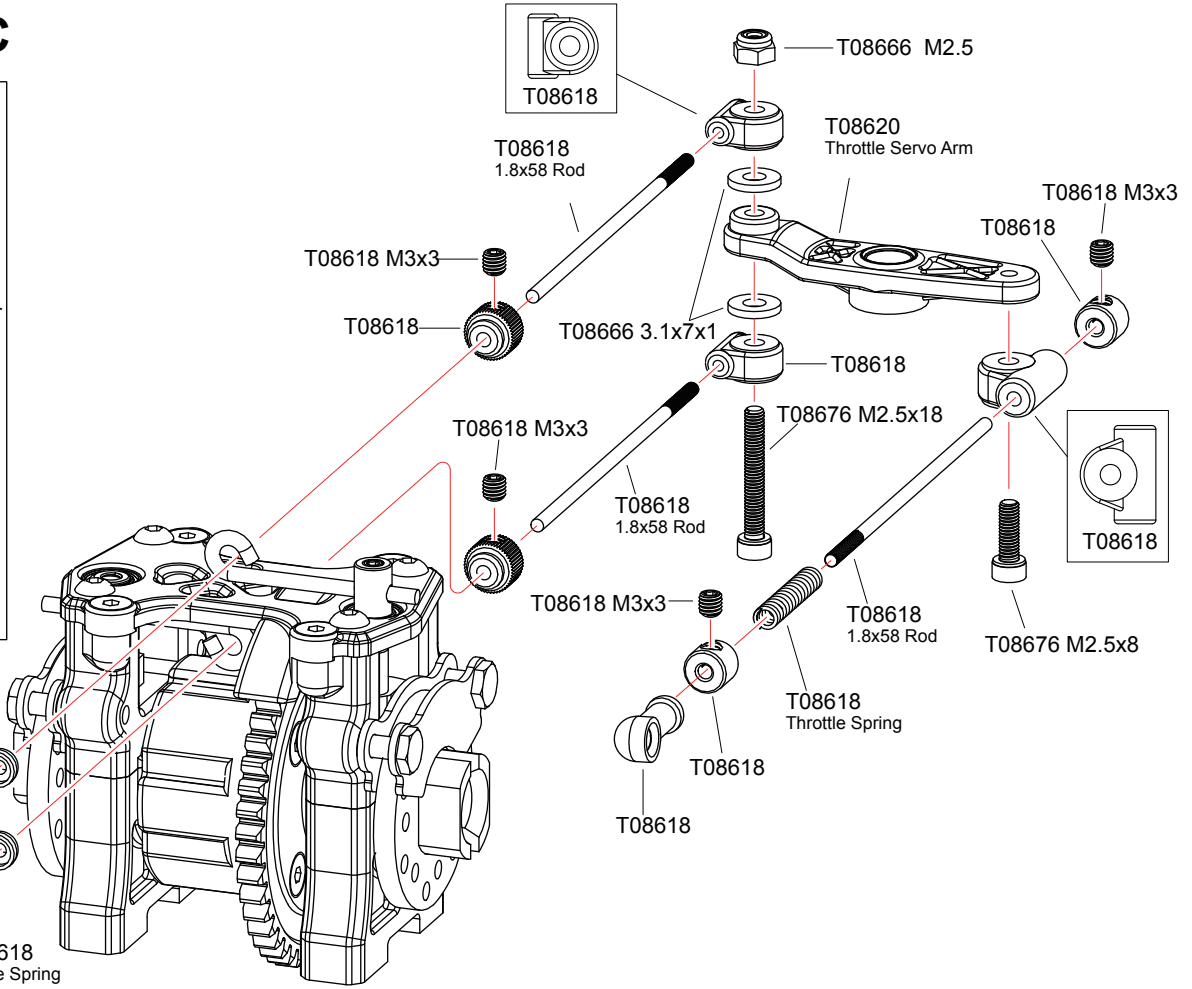
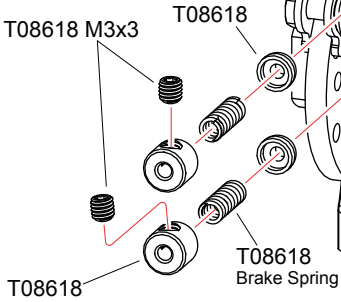
2

T08676 M2.5x8 Screw

1

T08676 M2.5x18 Screw

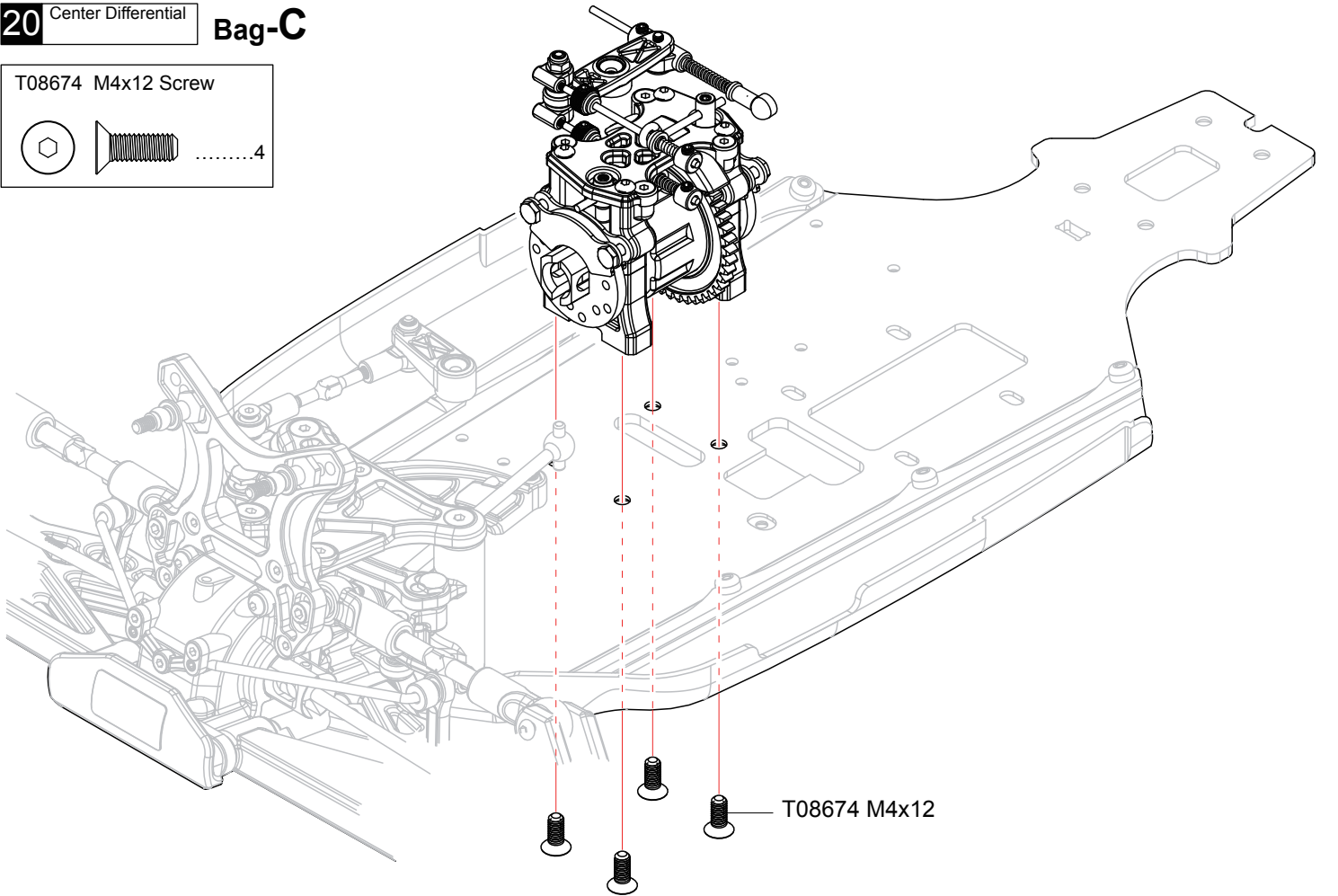
1



20 Center Differential **Bag-C**

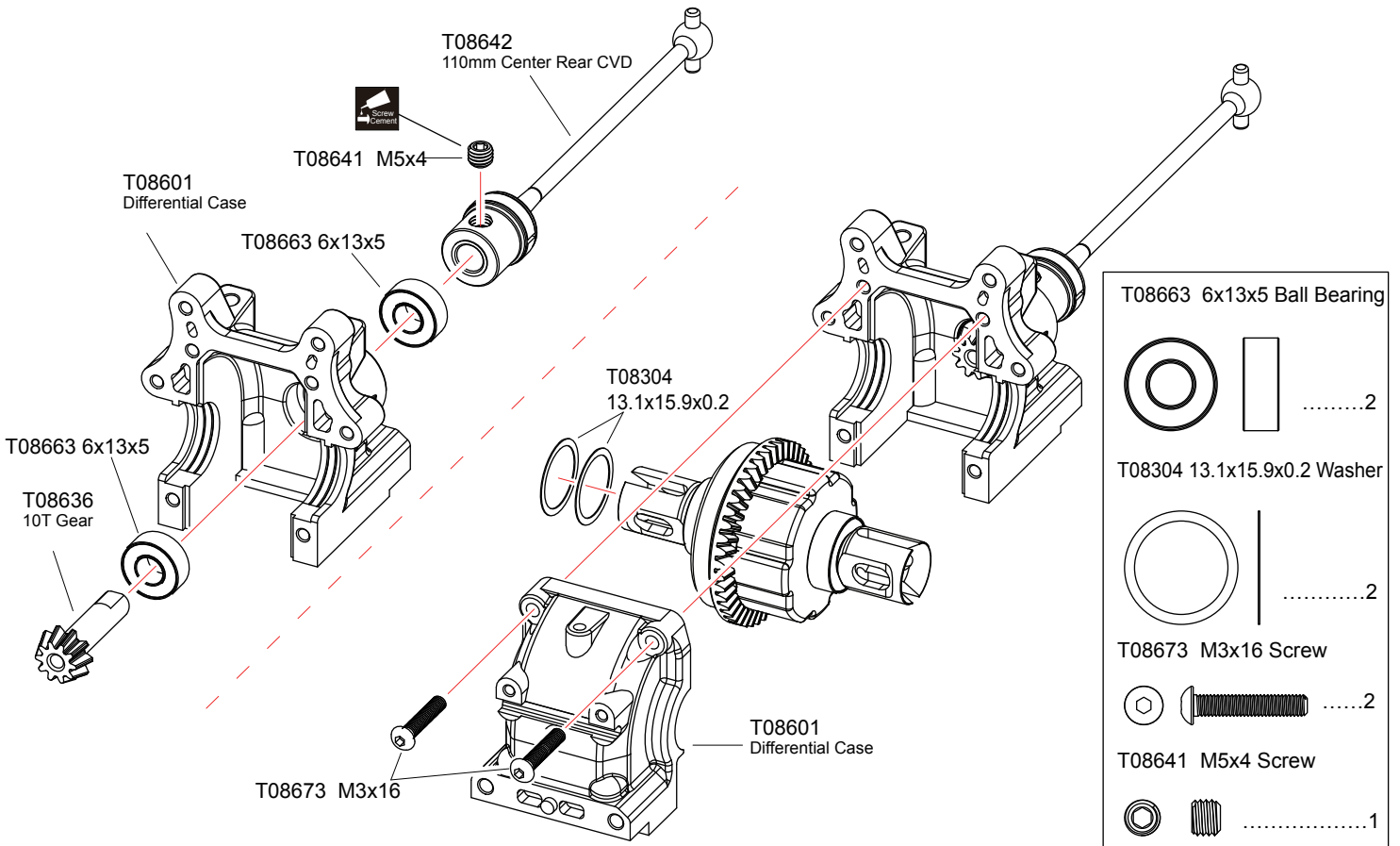
T08674 M4x12 Screw

4



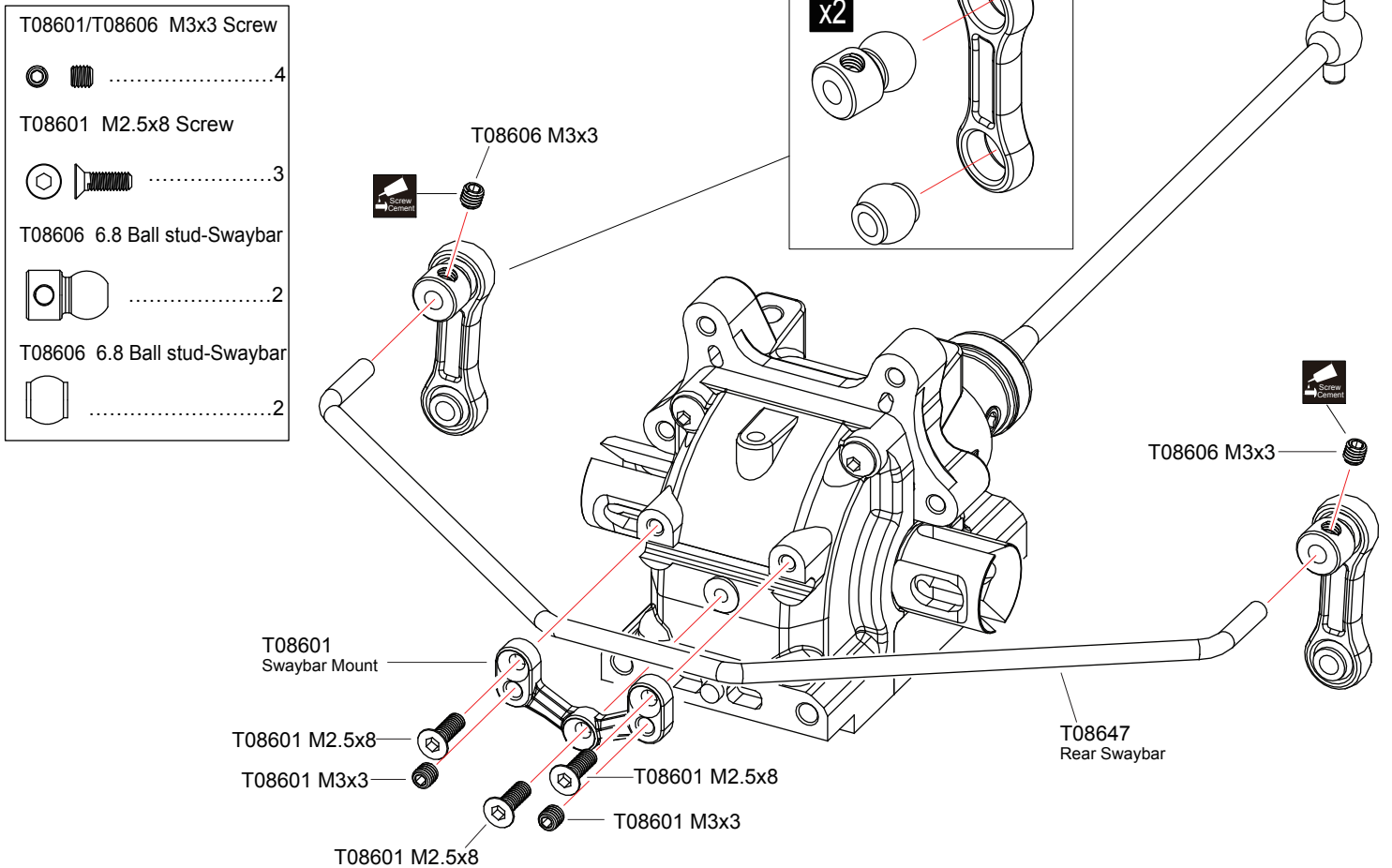
21 Rear Differential Case

Bag-C Bag-E



22 Rear Swaybar

Bag-E

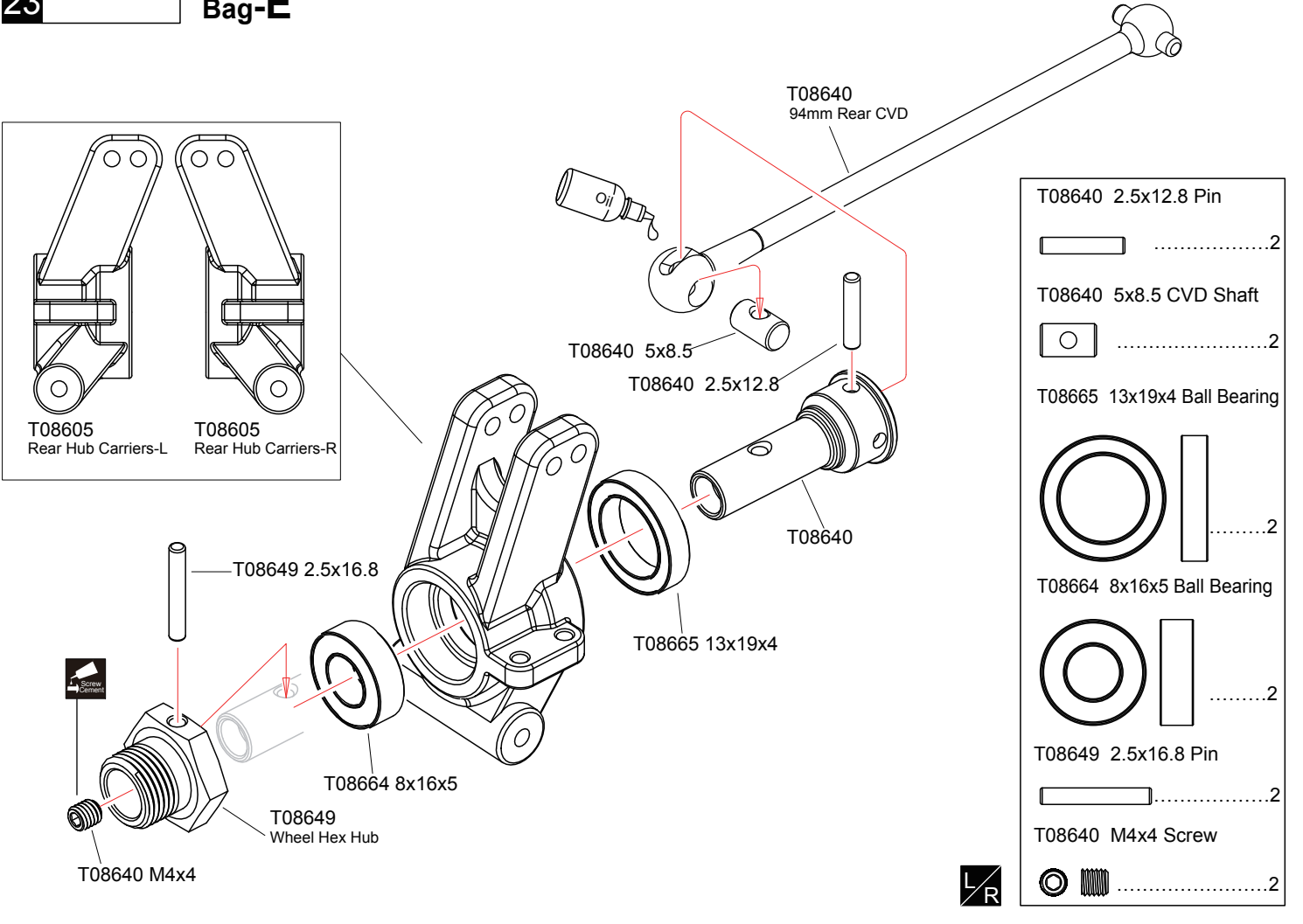


Apply threadlock (screw cement)

x2 Assemble as many times as specified

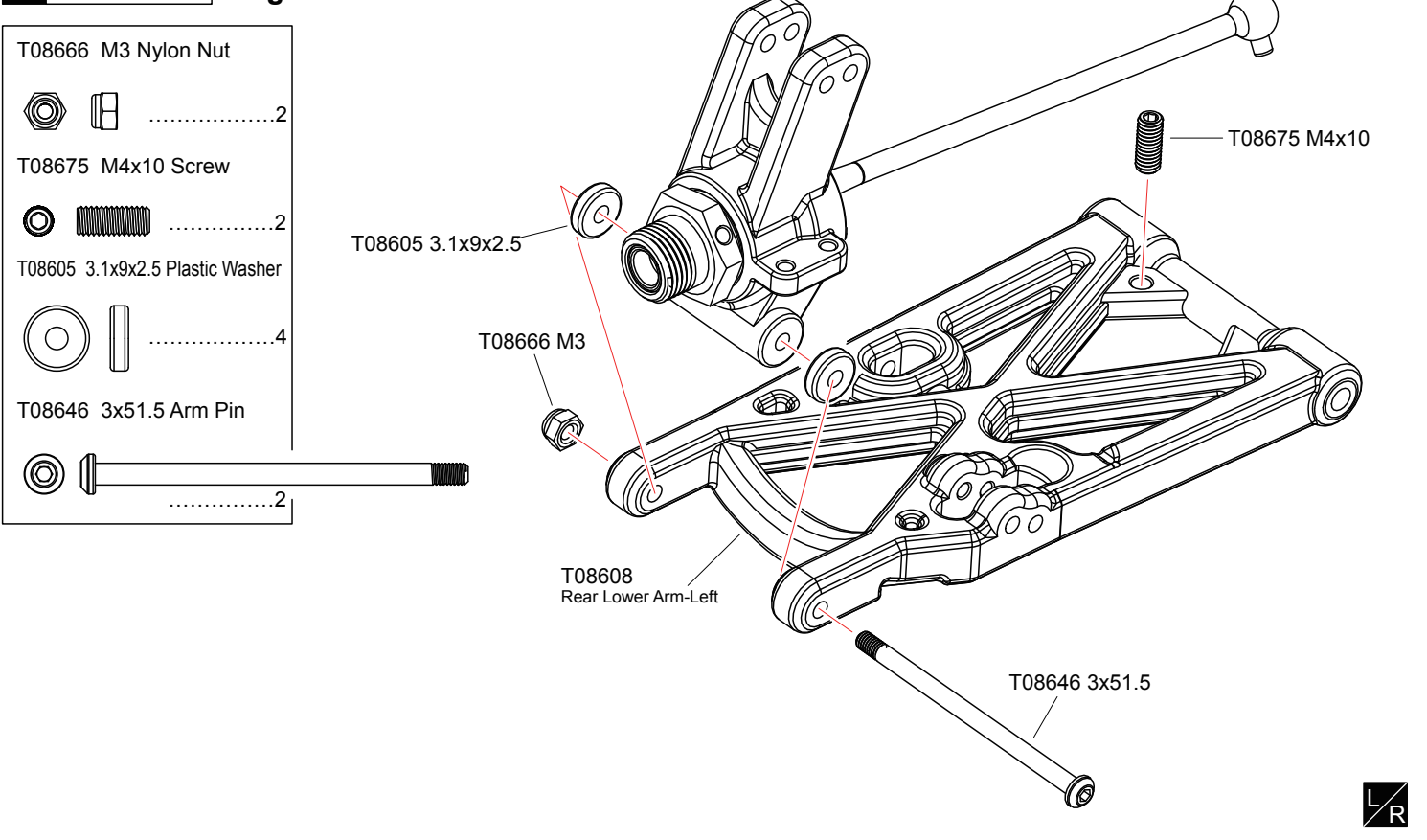
23 Rear Hub Carrie

Bag-E



24 Rear Hub Carrie

Bag-E

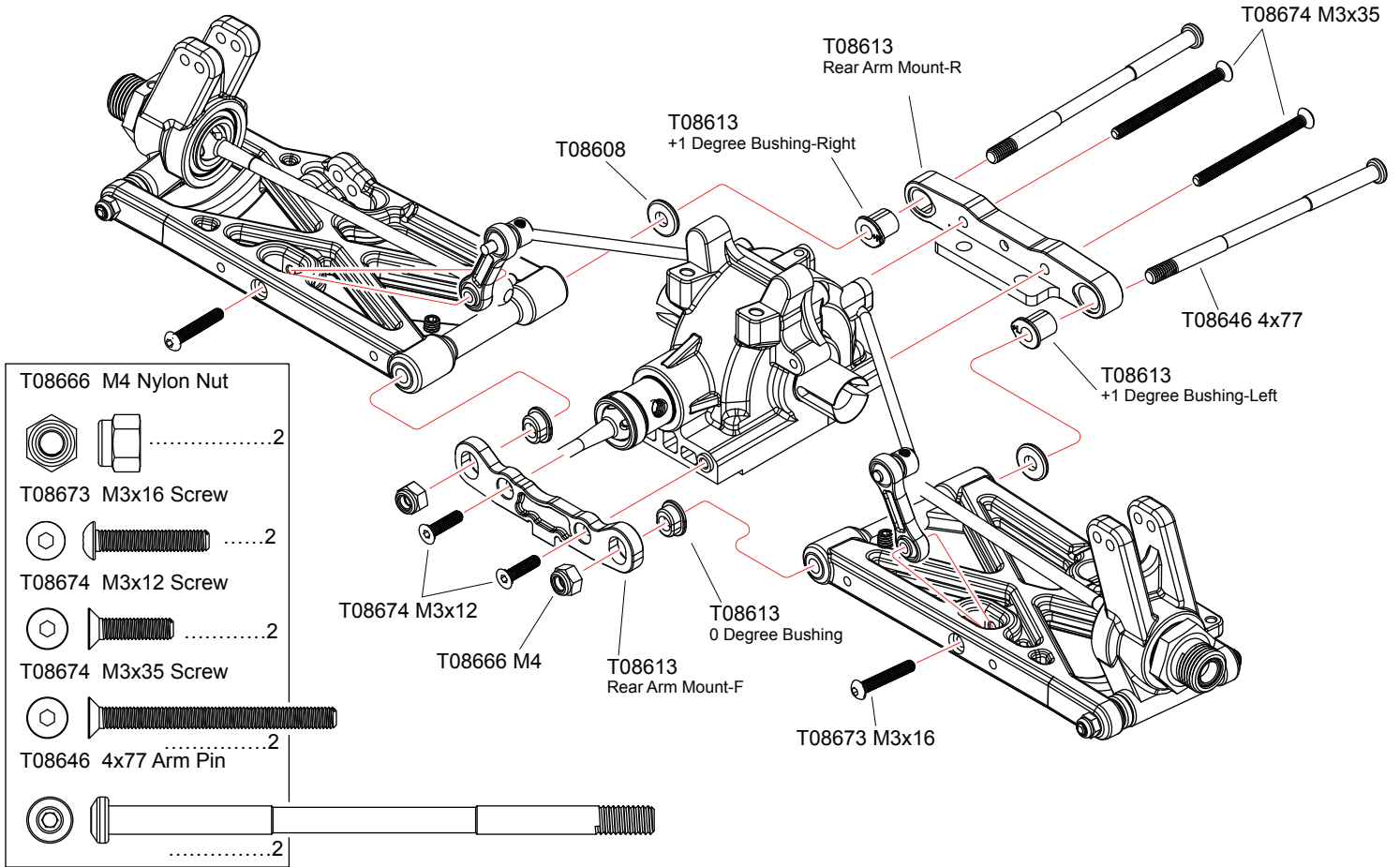


Apply threadlock(screw cement)

Assemble both Left and Right

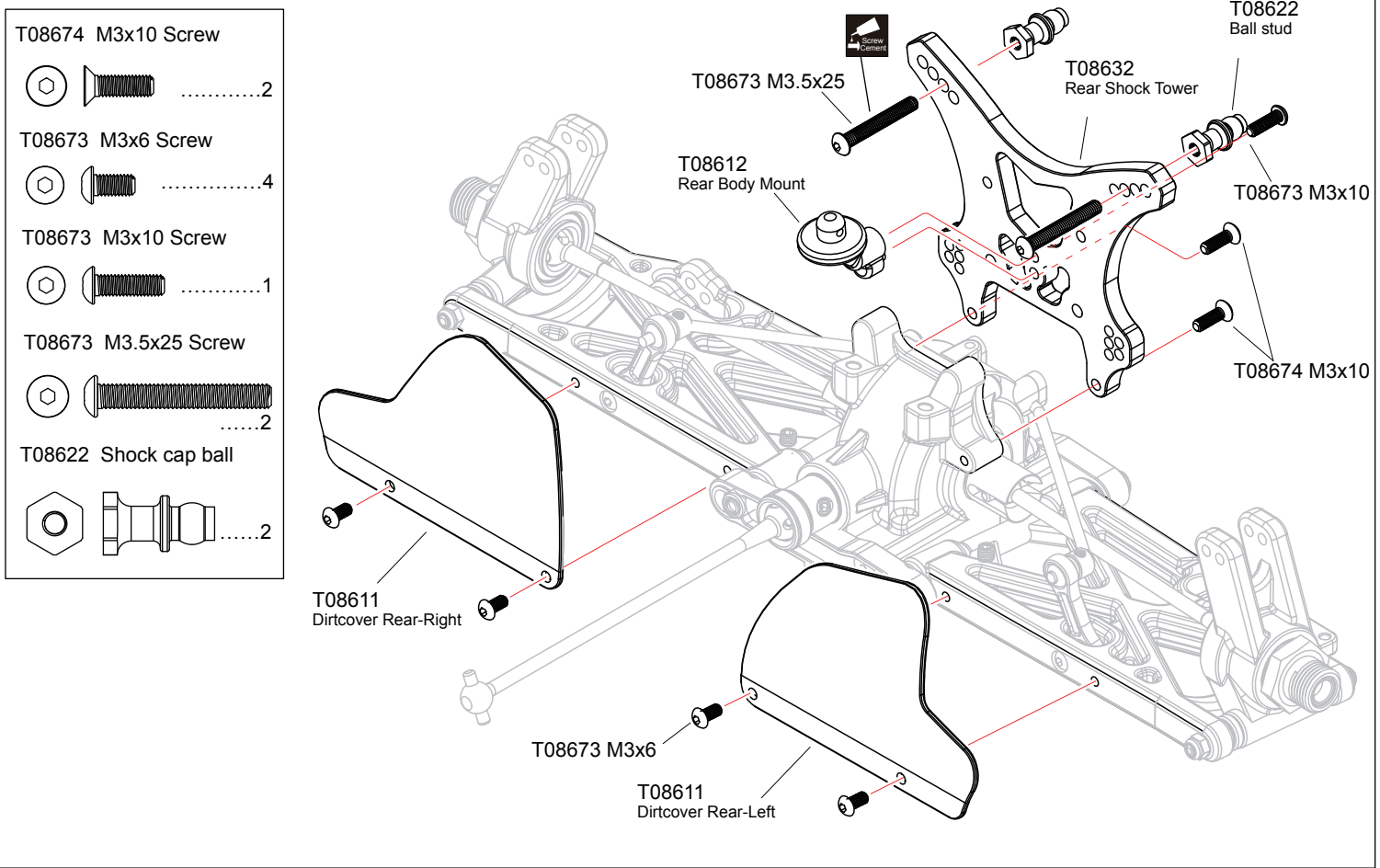
25 Rear Suspension

Bag-E



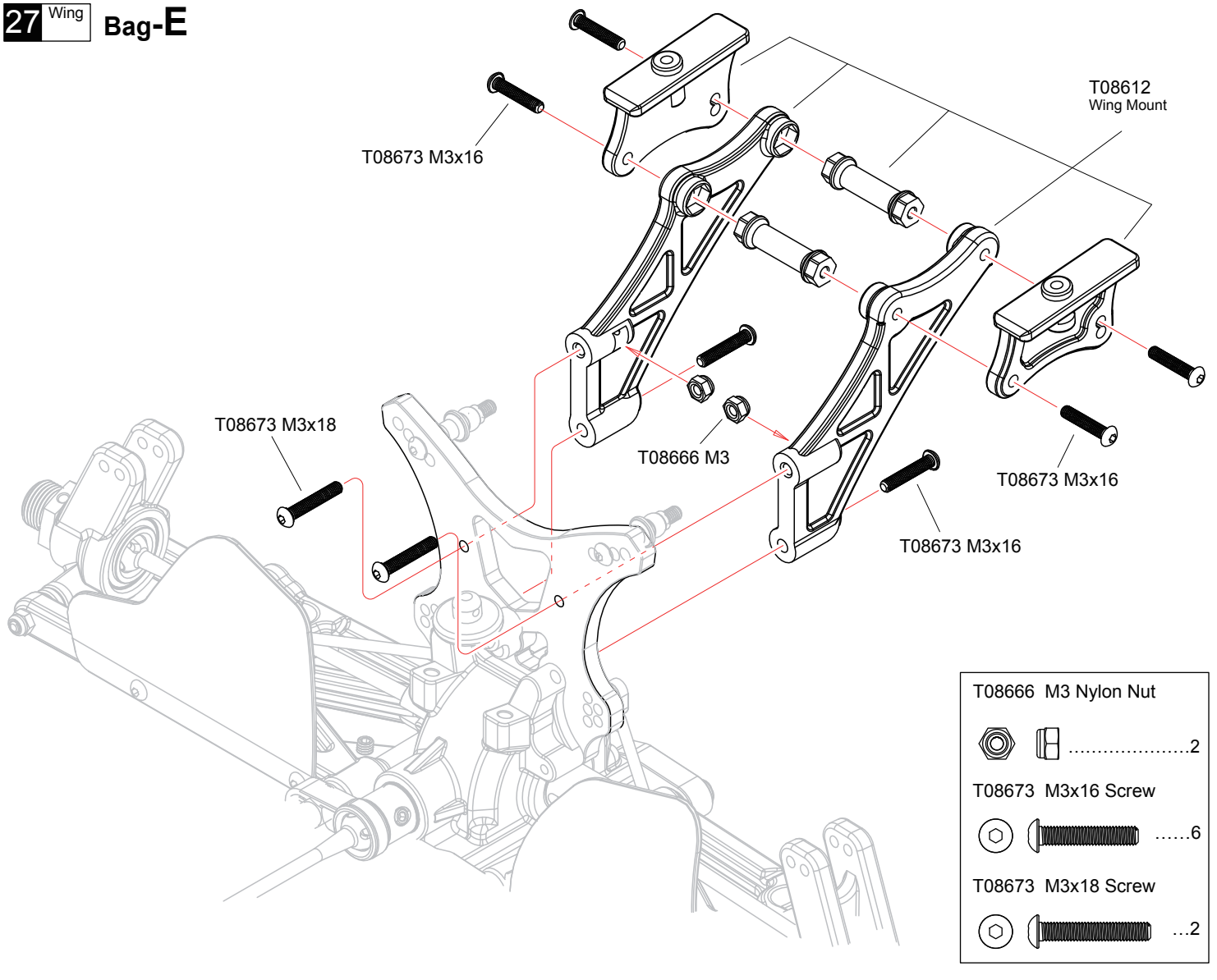
26 Rear Shock Tower

Bag-E

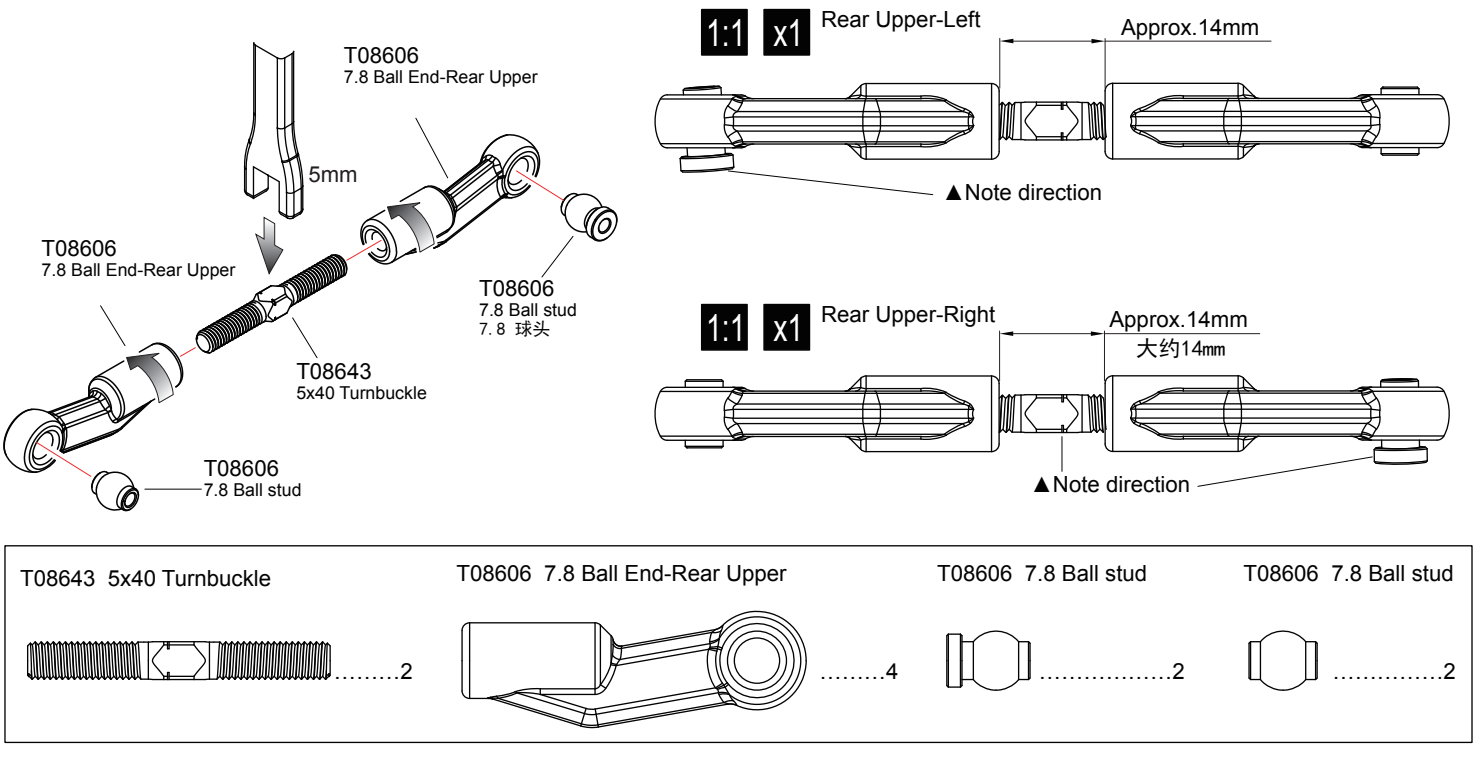


Apply threadlock (screw cement)

27 Wing Bag-E

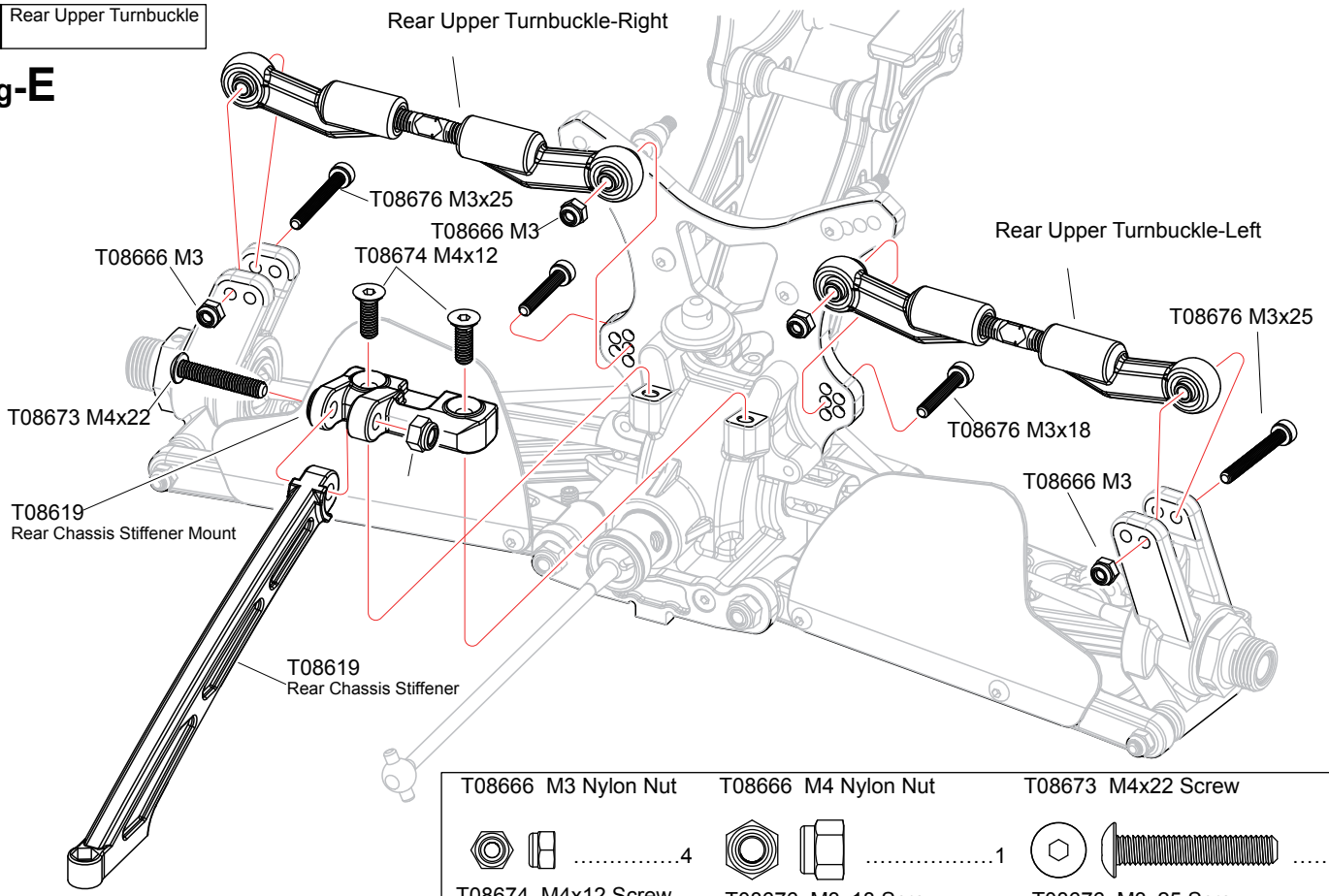


28 Rear Upper Turnbuckle Bag-E



29 Rear Upper Turnbuckle

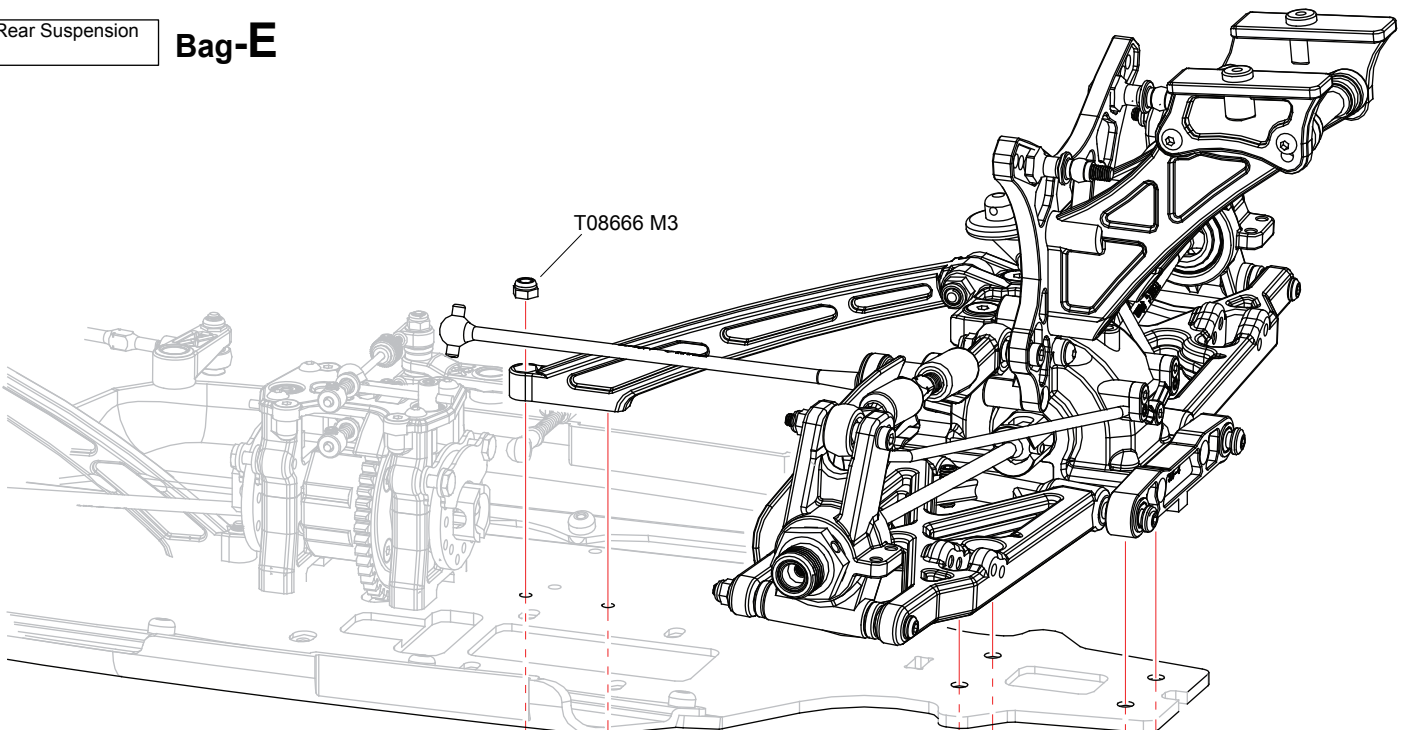
Bag-E



T08666 M3 Nylon Nut	T08666 M4 Nylon Nut	T08673 M4x22 Screw
.....411
T08674 M4x12 Screw	T08676 M3x18 Screw	T08676 M3x25 Screw
.....222

30 Rear Suspension

Bag-E



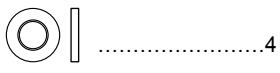
T08666 M3 Nylon Nut	T08674 M3x12 Screw
.....11
T08674 M3x10 Screw	T08674 M4x14 Screw
.....14

T08674 M3x10	T08674 M4x14
.....14

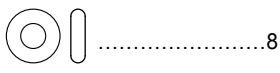
T08627 2.75mm Plastic Washer



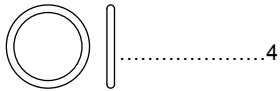
T08627 1mm Plastic Washer



T08627 3.3x1.9 O-ring



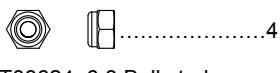
T08625/T08626 9x1.0 O-ring



T08624 2.7x5.8x0.5 Washer



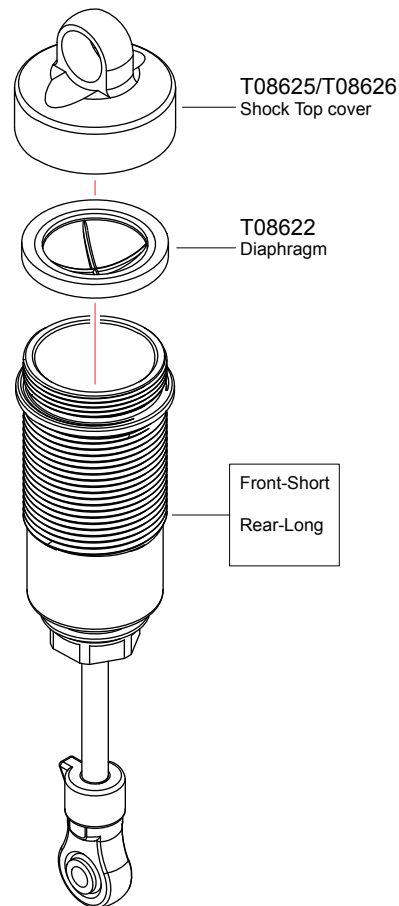
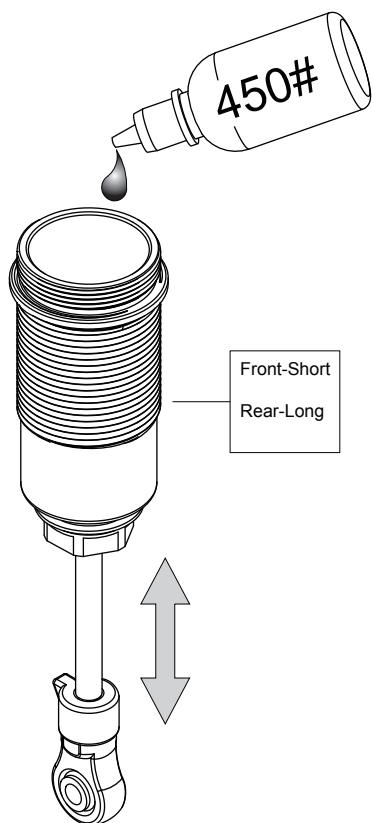
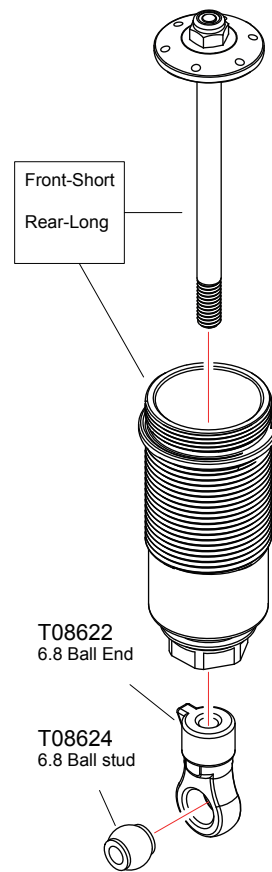
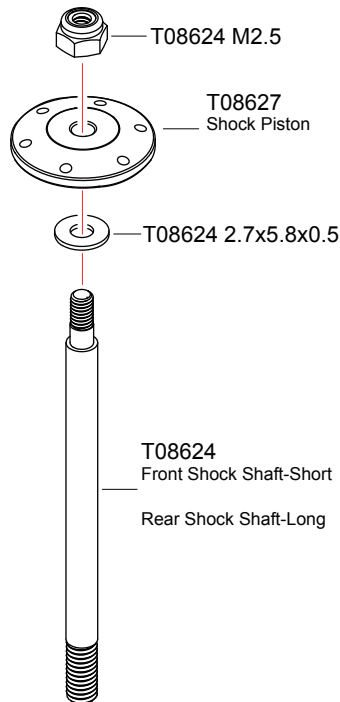
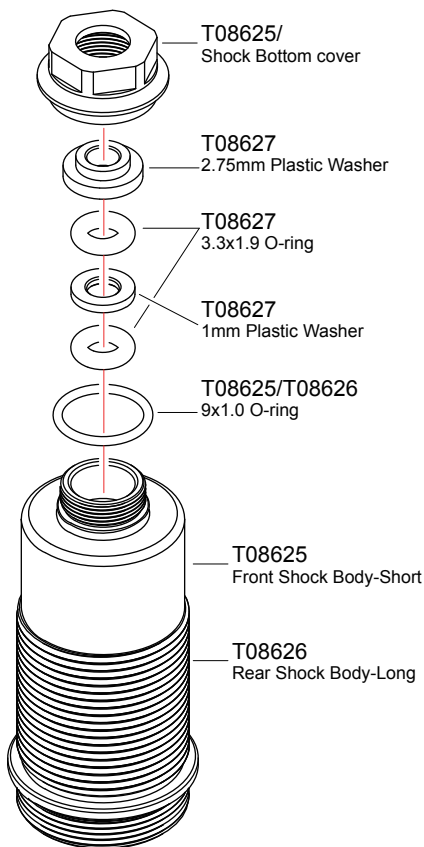
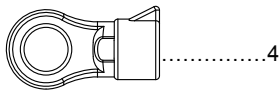
T08624 M2.5 Nylon Nut



T08624 6.8 Ball stud



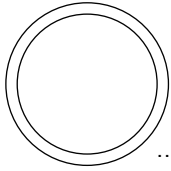
T08622 6.8 Ball End



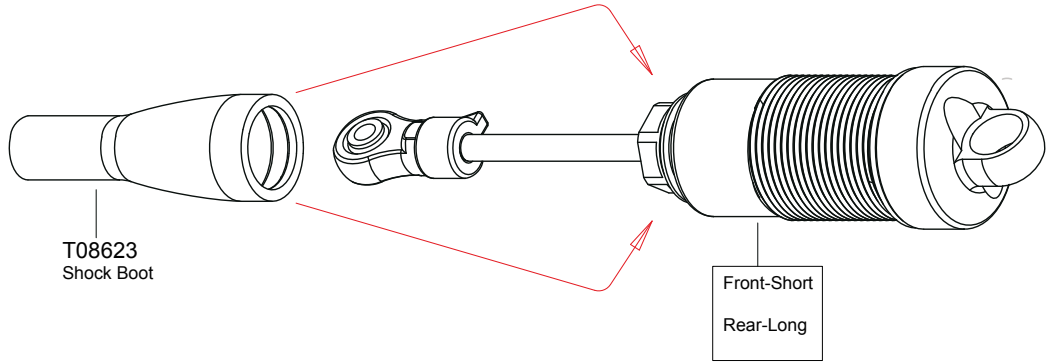
33 Shock

Bag-F

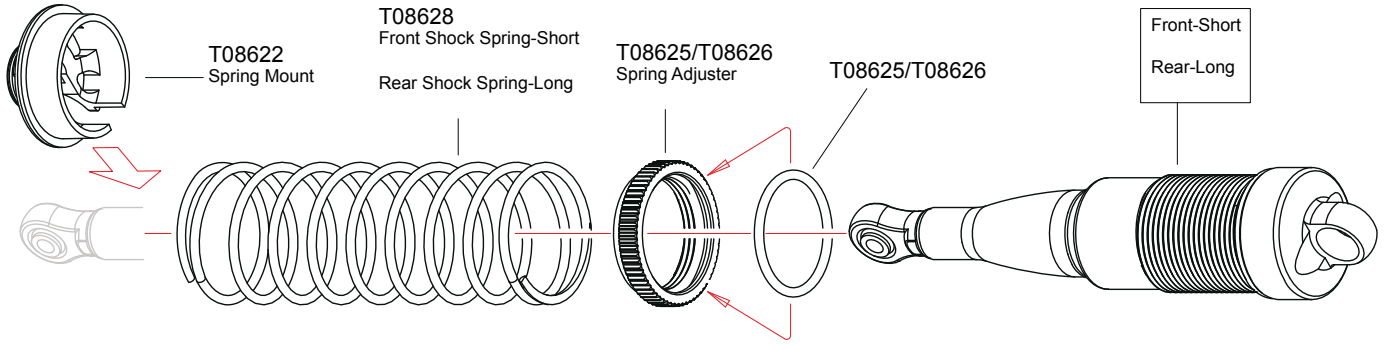
T08625/T08626 O-Ring



.....4

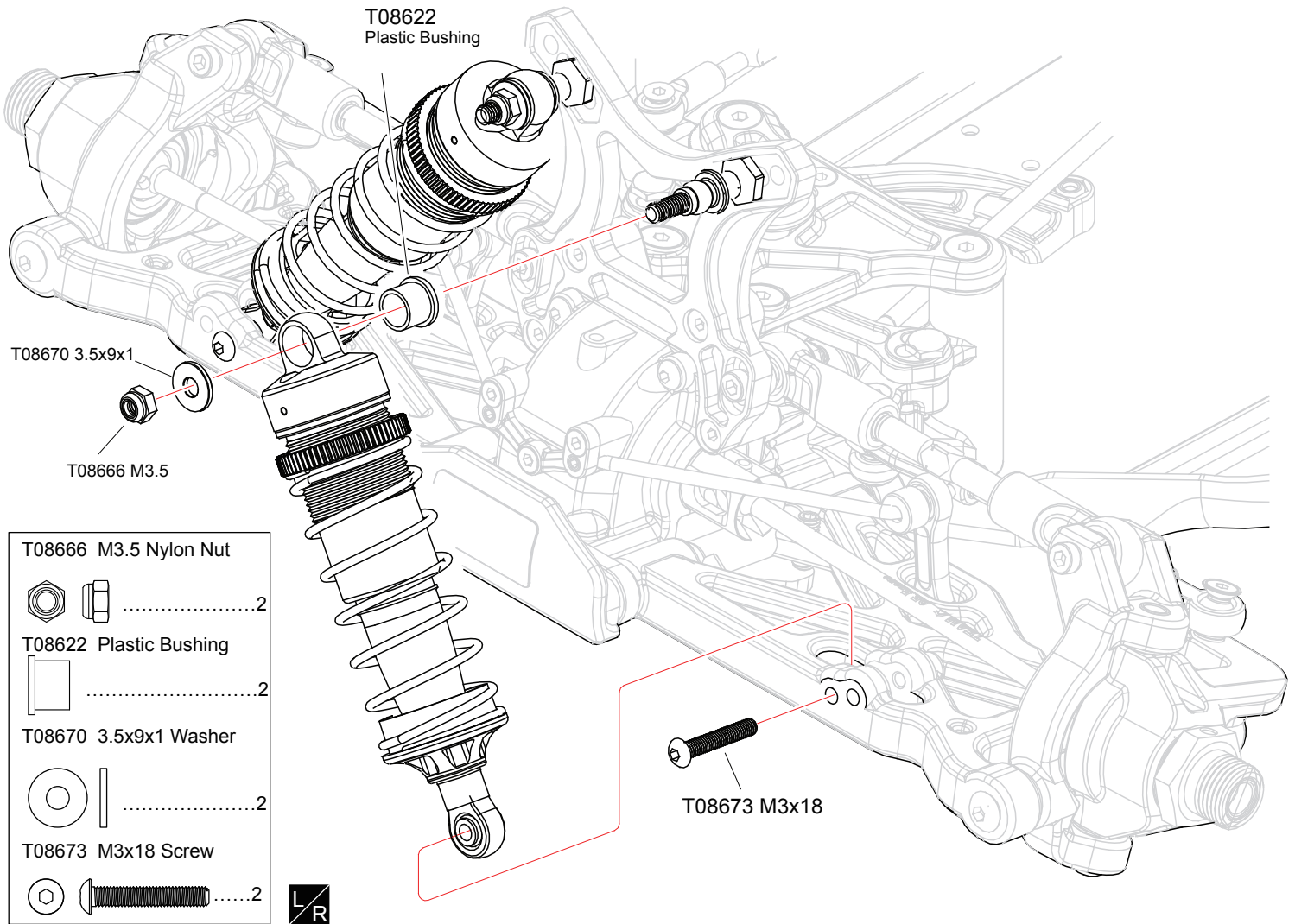


F/R **x2**

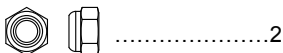


34 Front Shock

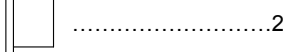
Bag-F



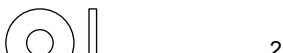
T08666 M3.5 Nylon Nut



T08622 Plastic Bushing



T08670 3.5x9x1 Washer



T08673 M3x18 Screw

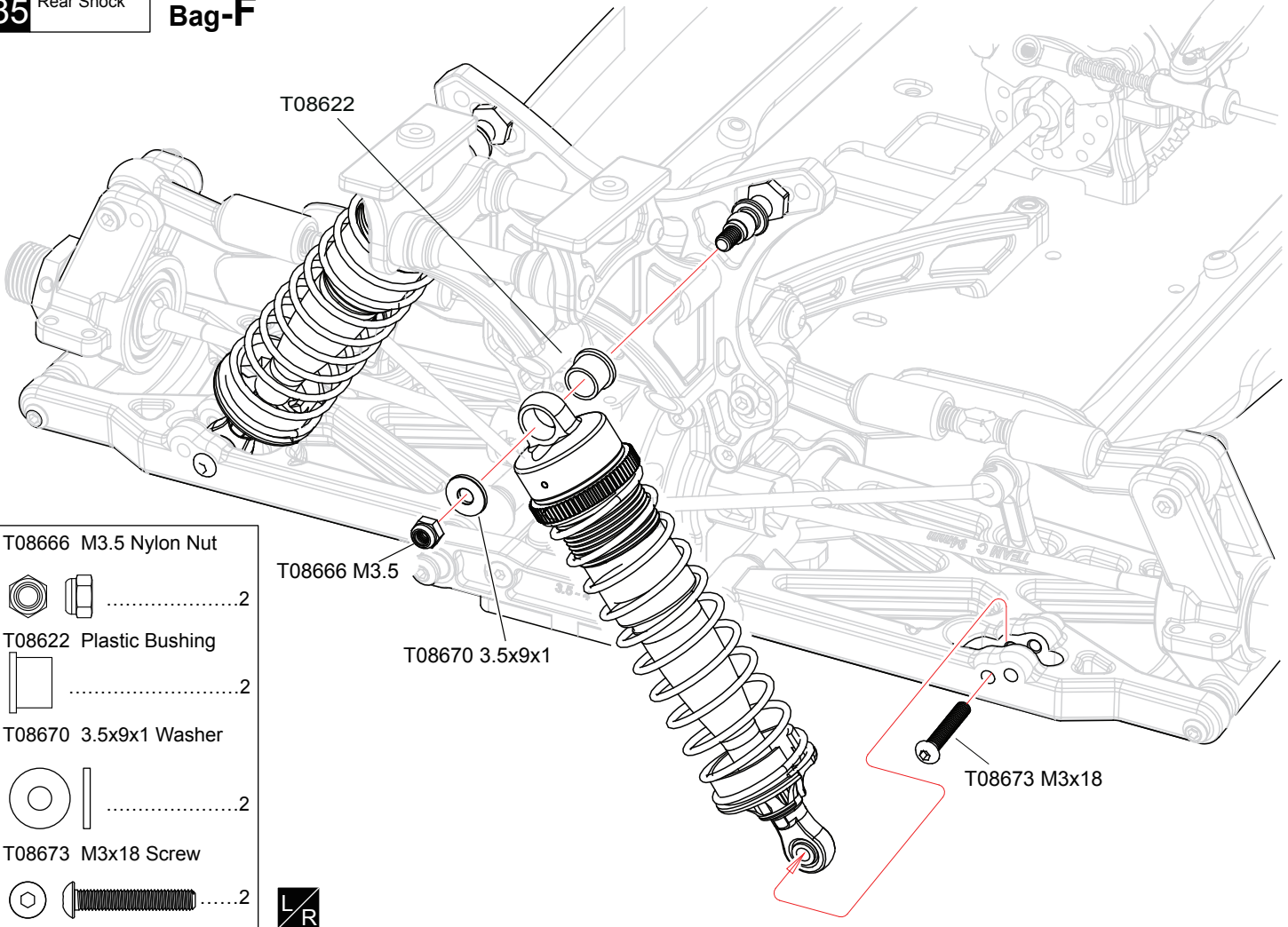


L/R

F/R Assemble both Front and Rear

x2 Assemble as many times as specified

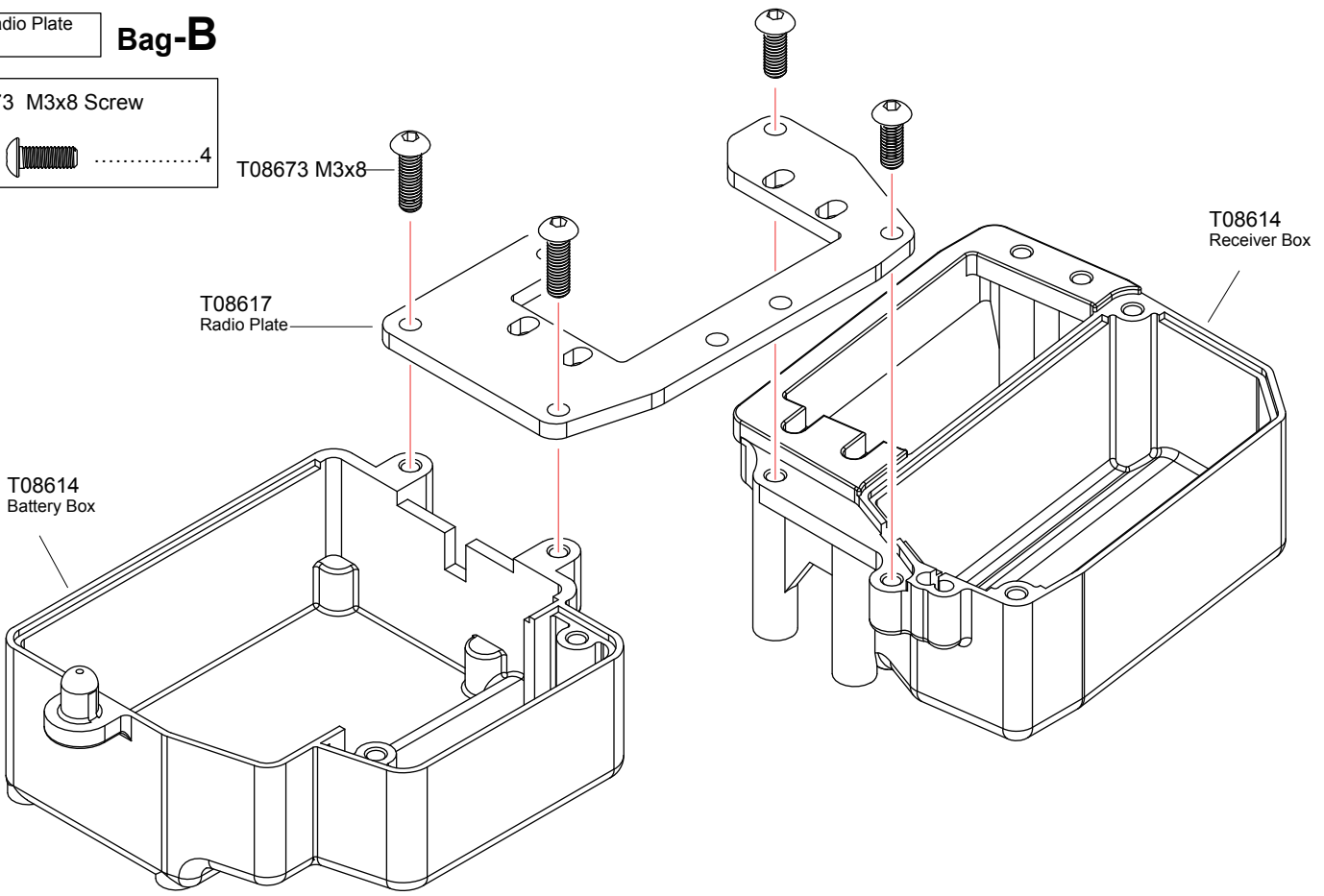
L/R Assemble both Left and Right



- T08666 M3.5 Nylon Nut
- T08622 Plastic Bushing
- T08670 3.5x9x1 Washer
- T08673 M3x18 Screw



- T08673 M3x8 Screw

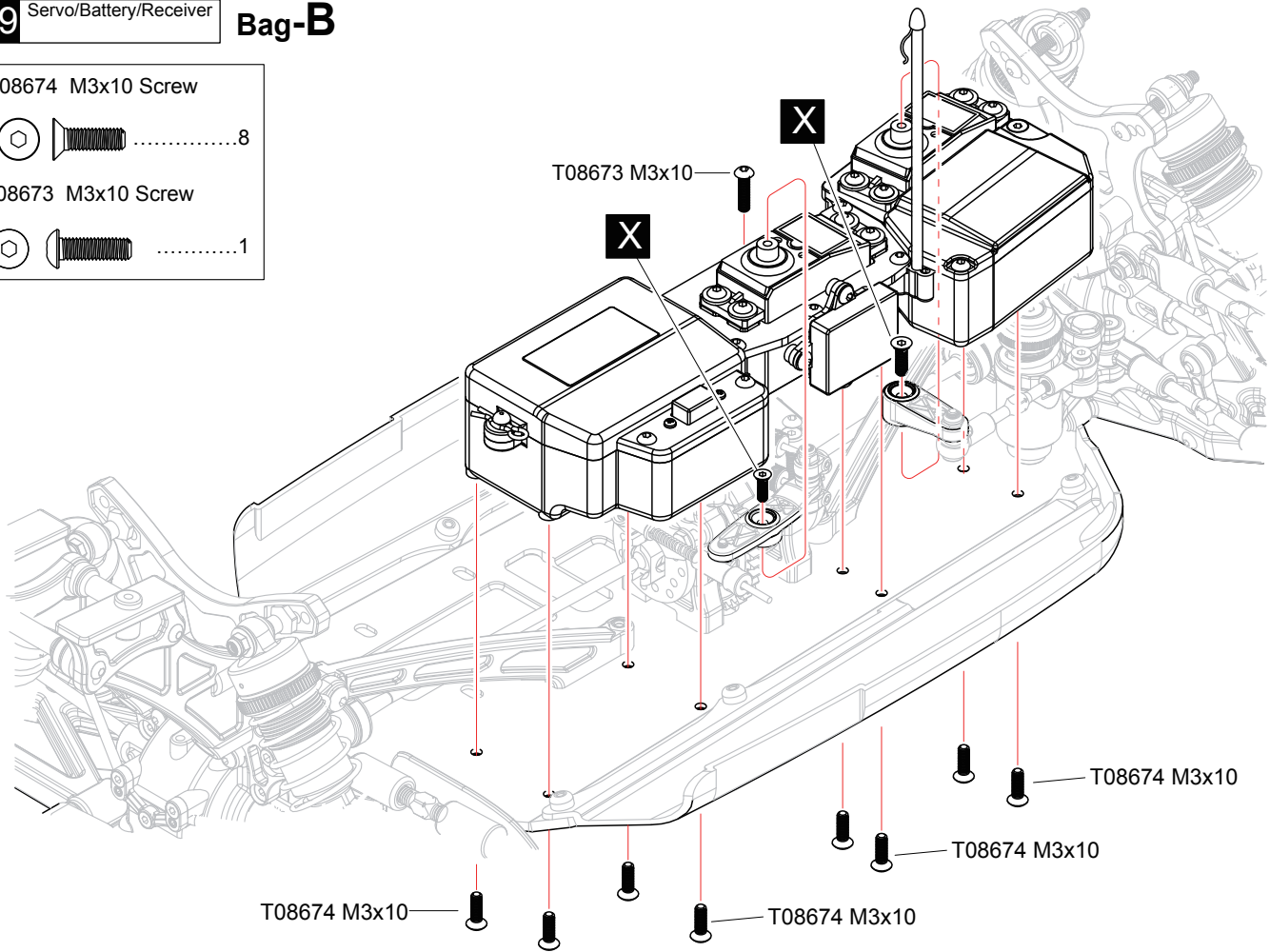


Bag-B

T08674 M3x10 Screw



T08673 M3x10 Screw

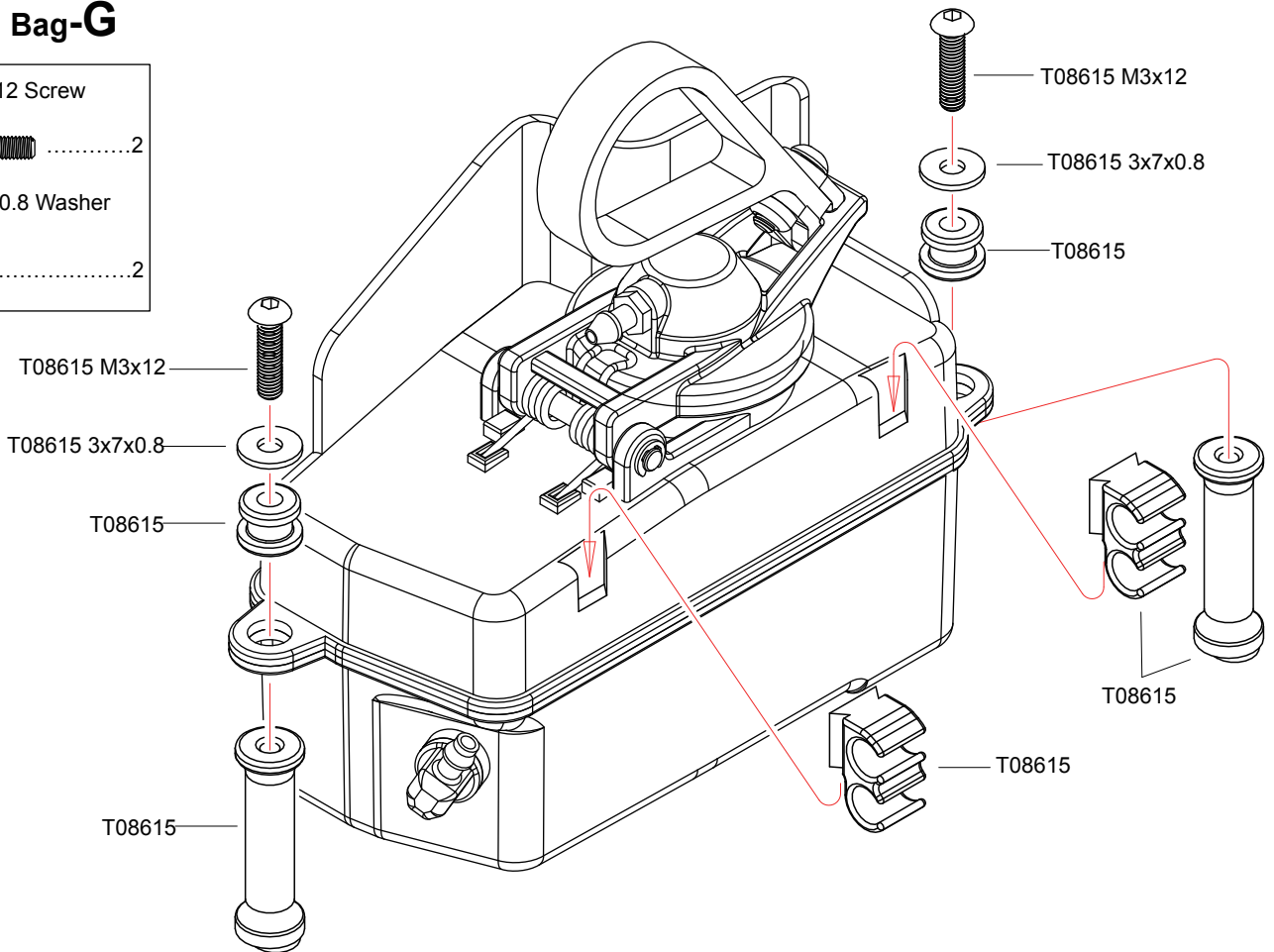
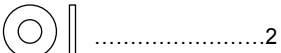


Bag-G

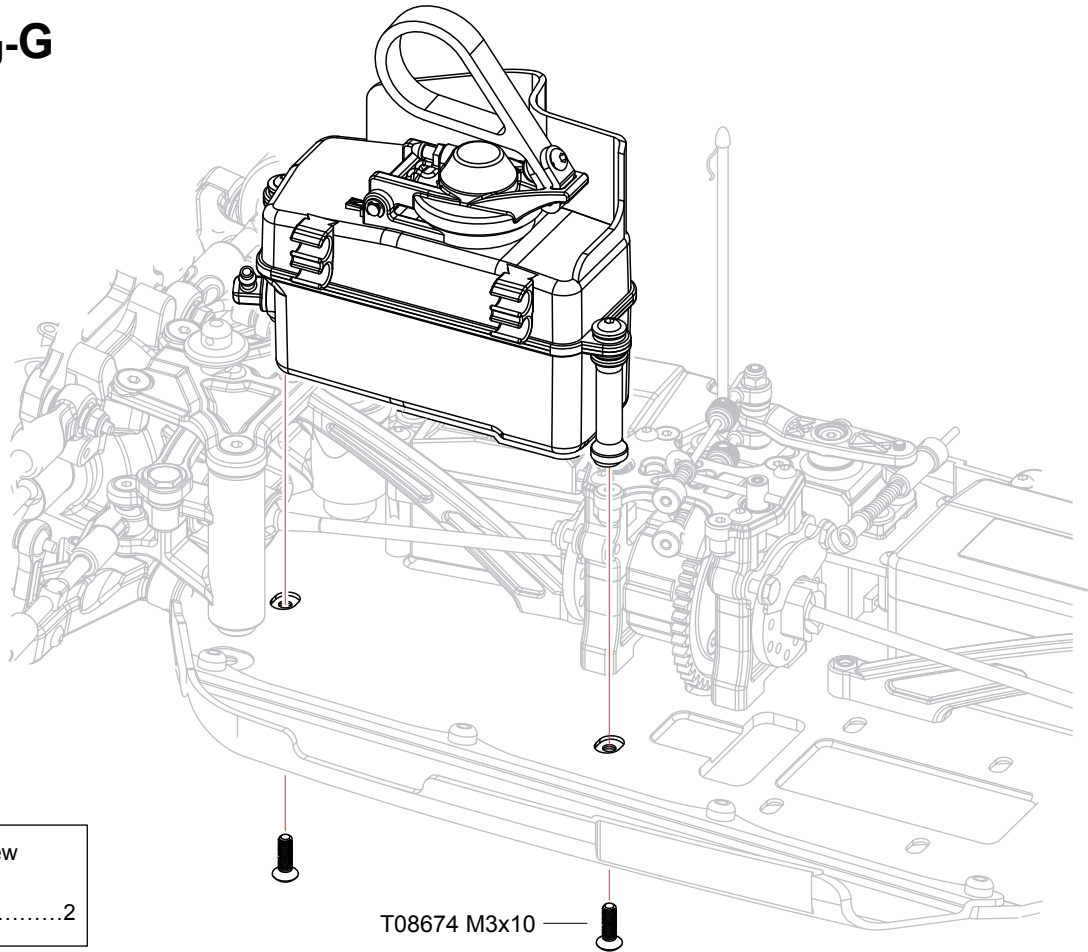
T08615 M3x12 Screw

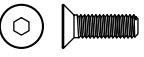


T08615 3x7x0.8 Washer



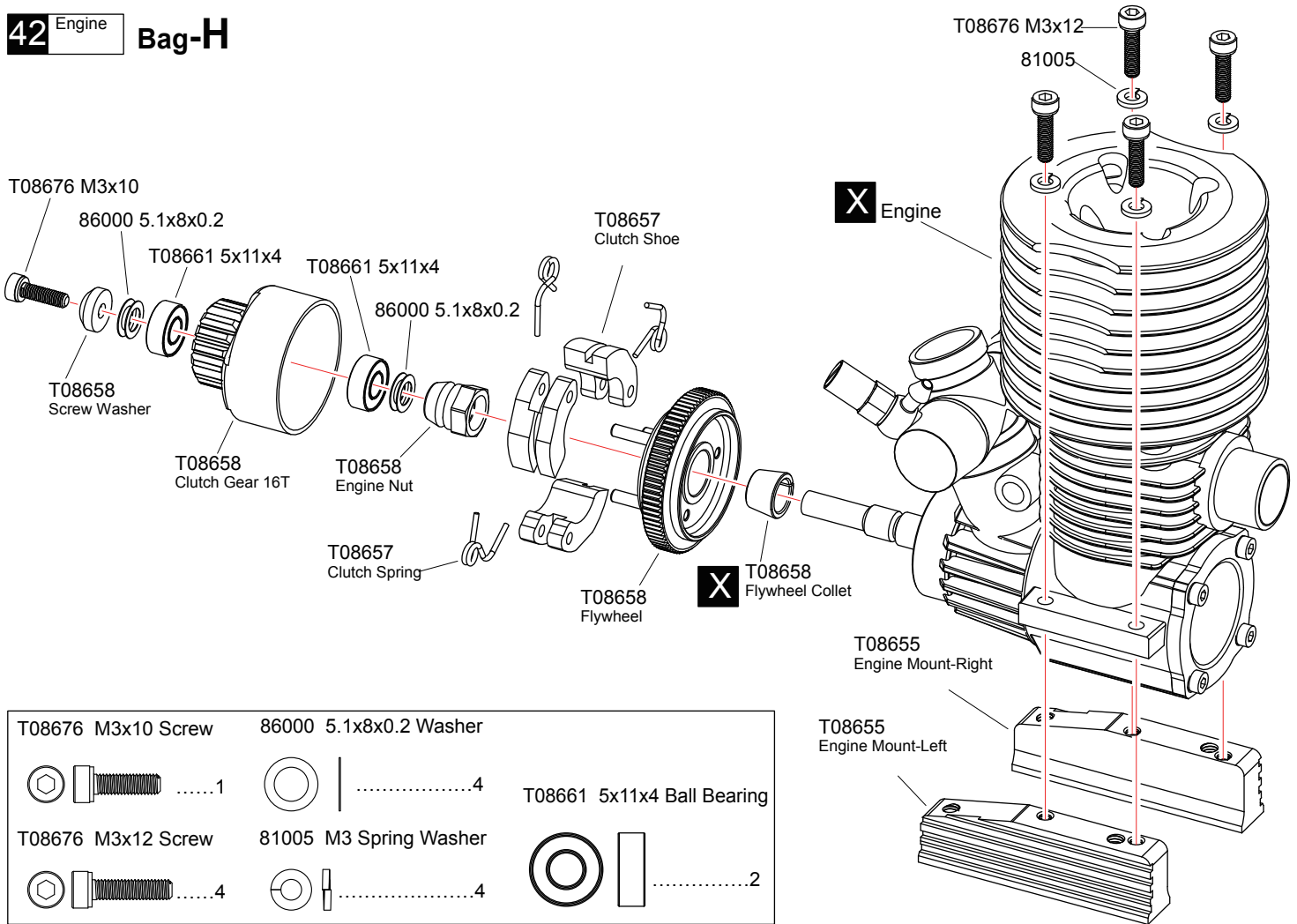
Bag-G



- T08674 M3x10 Screw
- 
-2

T08674 M3x10

Bag-H



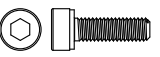
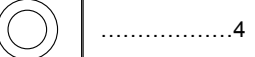
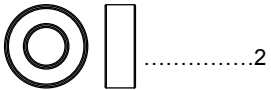
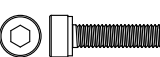
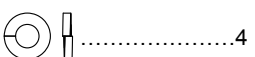
- T08676 M3x10
- 86000 5.1x8x0.2
- T08661 5x11x4
- T08661 5x11x4
- 86000 5.1x8x0.2
- T08658 Screw Washer
- T08658 Clutch Gear 16T
- T08658 Engine Nut
- T08657 Clutch Spring
- T08657 Clutch Shoe
- T08658 Flywheel
- T08658 Flywheel Collet

X Engine

- T08676 M3x12
- 81005

T08655 Engine Mount-Right

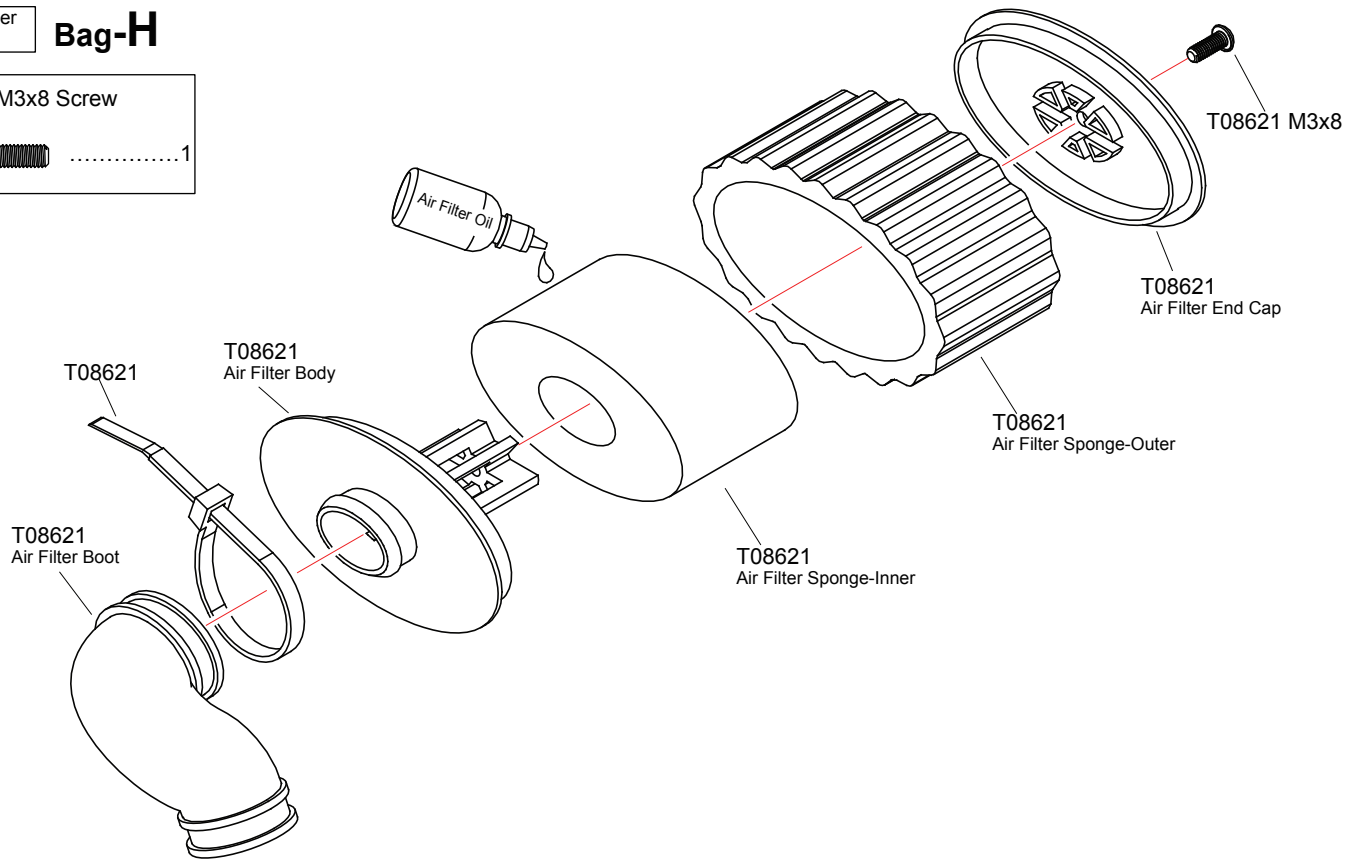
T08655 Engine Mount-Left

- | | | |
|--|---|---|
| T08676 M3x10 Screw | 86000 5.1x8x0.2 Washer | T08661 5x11x4 Ball Bearing |
|  |  |  |
| T08676 M3x12 Screw | 81005 M3 Spring Washer | |
|  |  | |

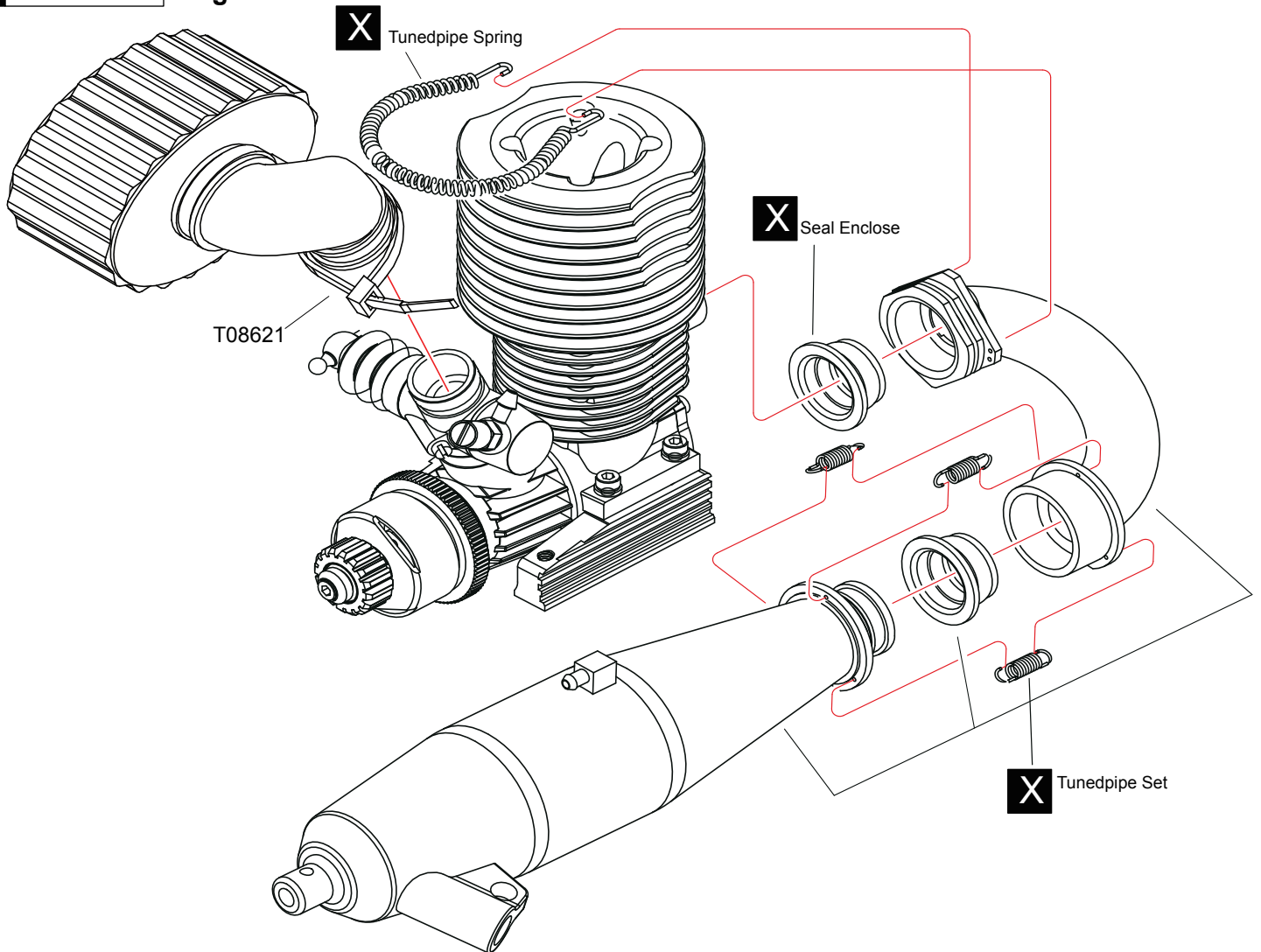
X Must be purchased separately

43 Air Filter **Bag-H**

T08621 M3x8 Screw

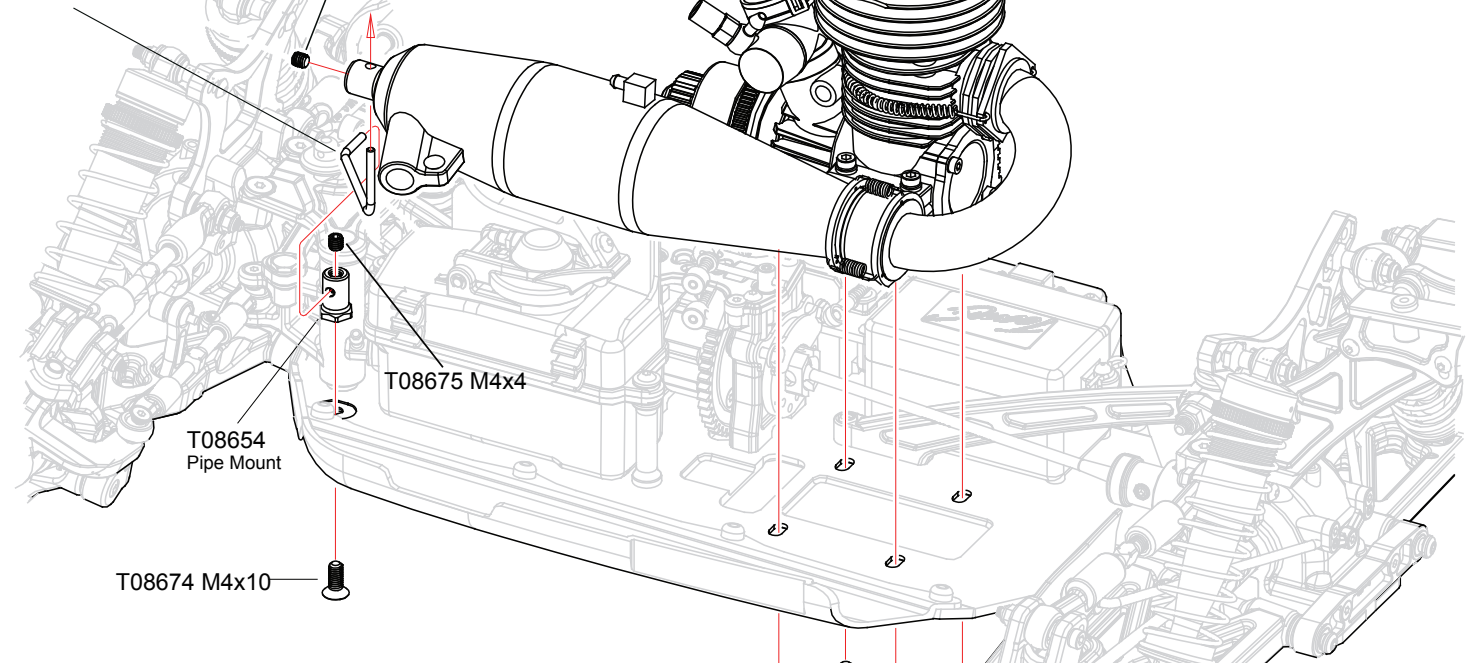


44 Air Filter/Tunedpipe **Bag-H**



X Must be purchased separately

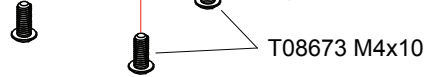
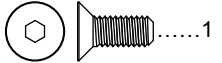
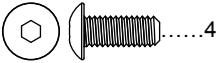
T08654
Exhaust Hanger Wire



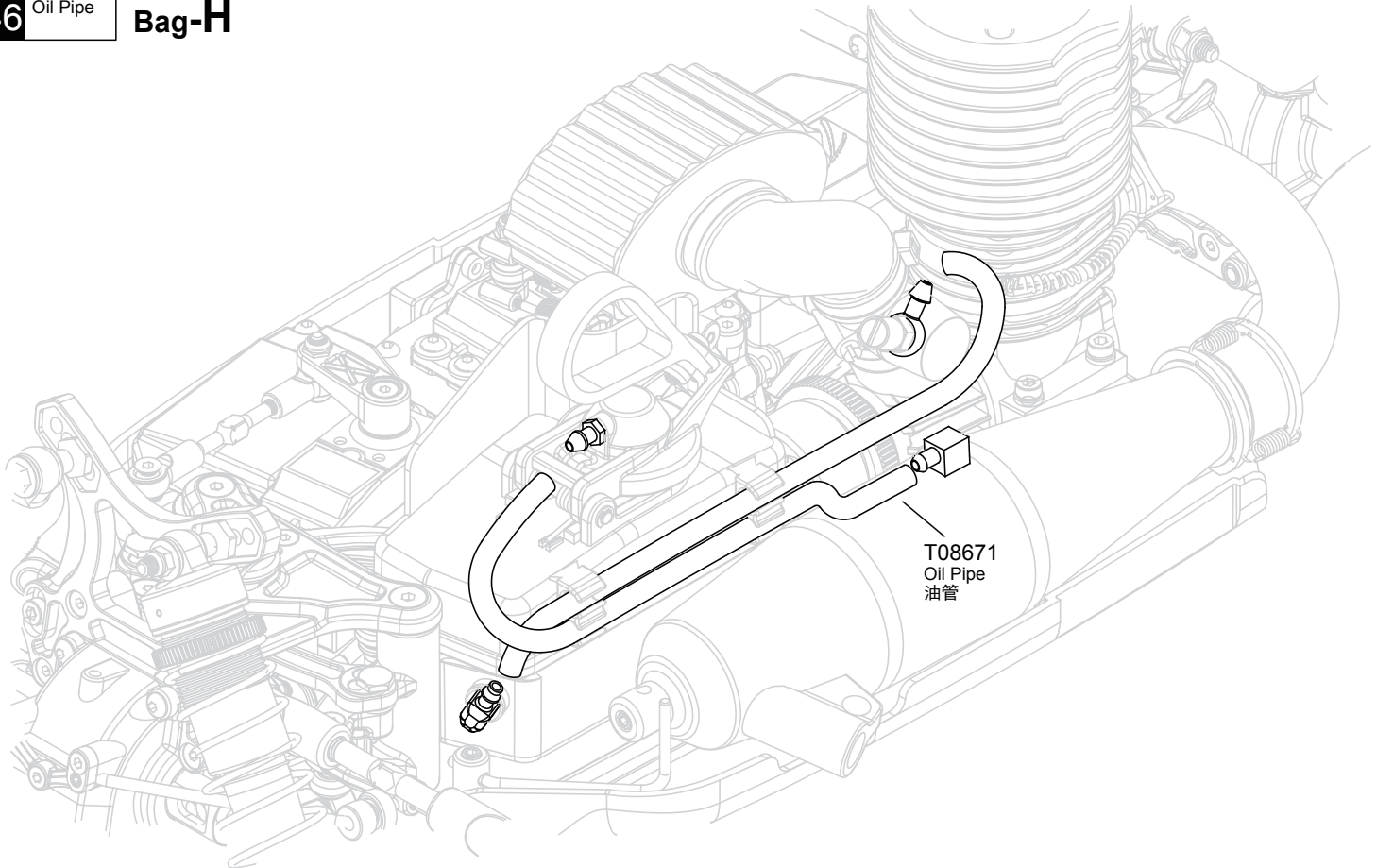
T08673 M4x10 Screw

T08674 M4x10 Screw

T08675 M4x4 Screw



T08673 M4x10



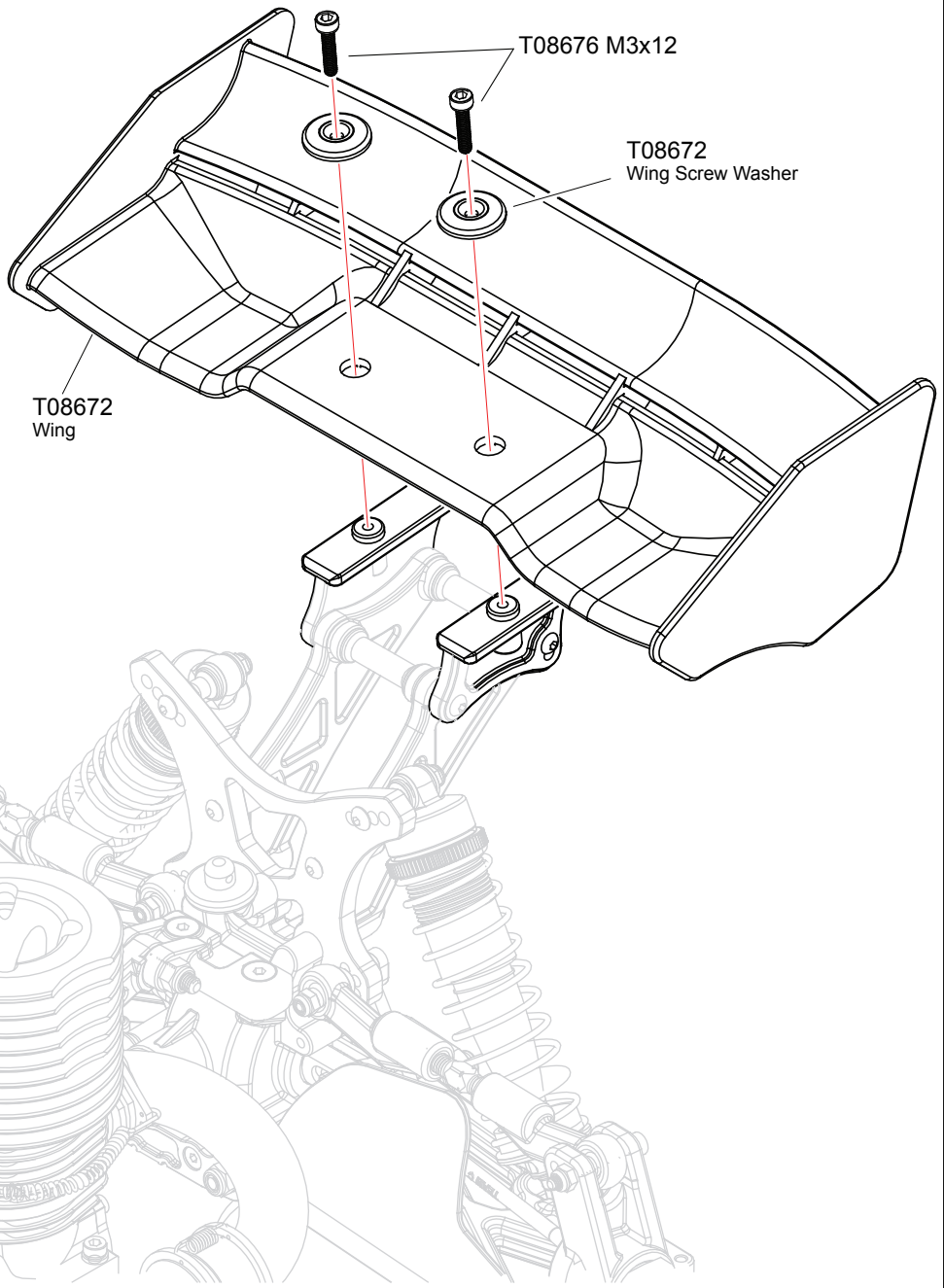
T08671
Oil Pipe
油管



Must be purchased separately

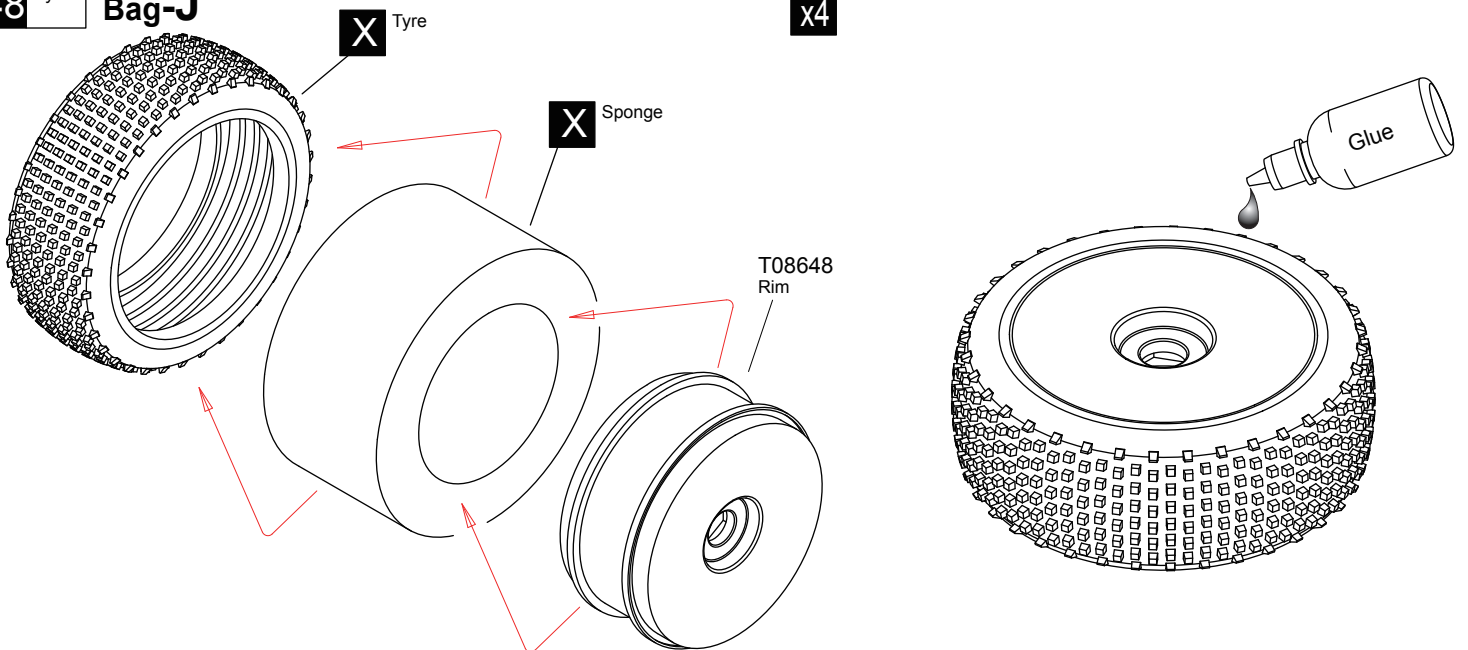
47 Wing **Bag-I**

T08676 M3x12 Screw



48 Tyre **Bag-J**

x4

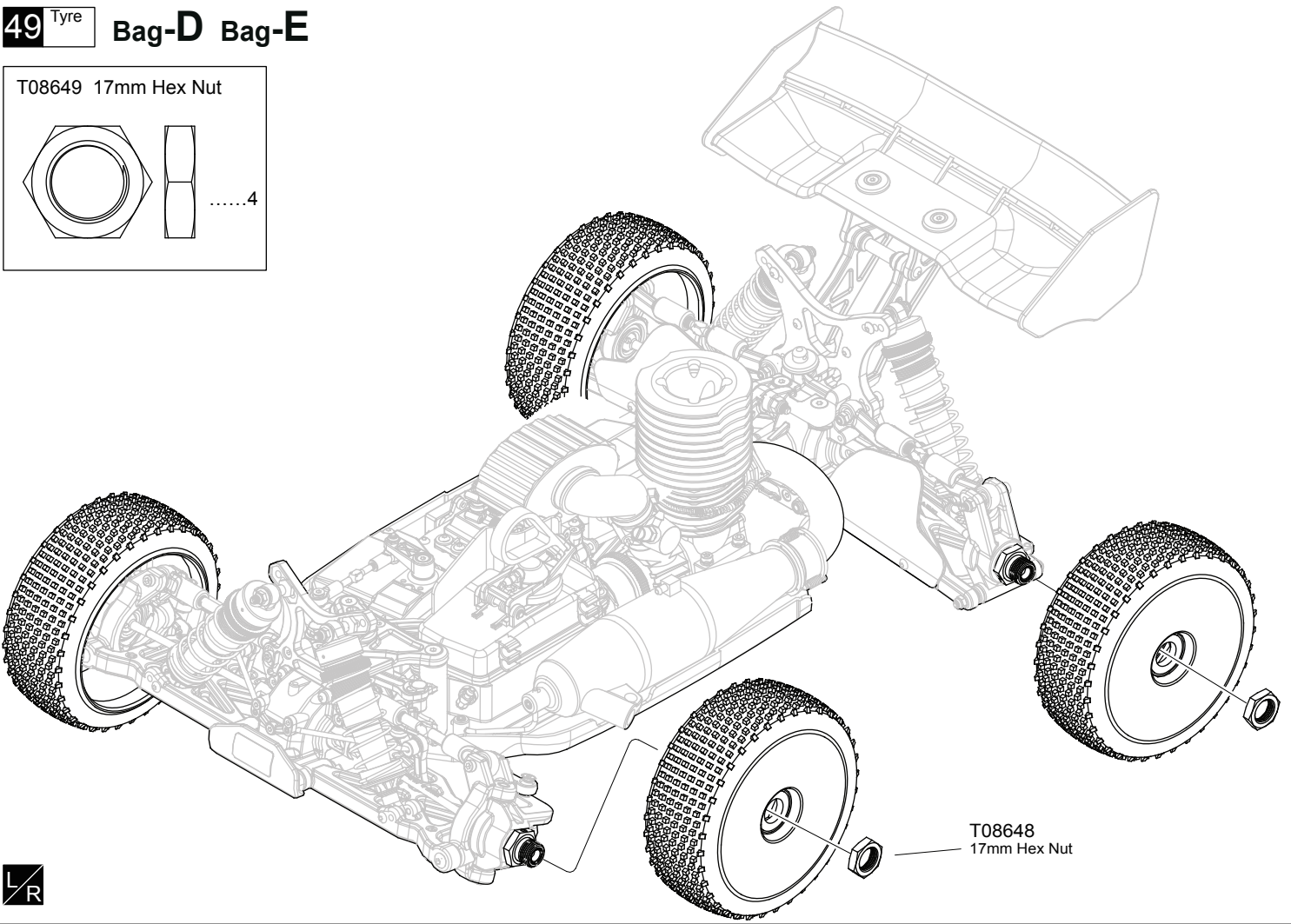
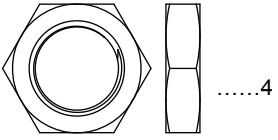


x4 Assemble as many times as specified

X Must be purchased separately

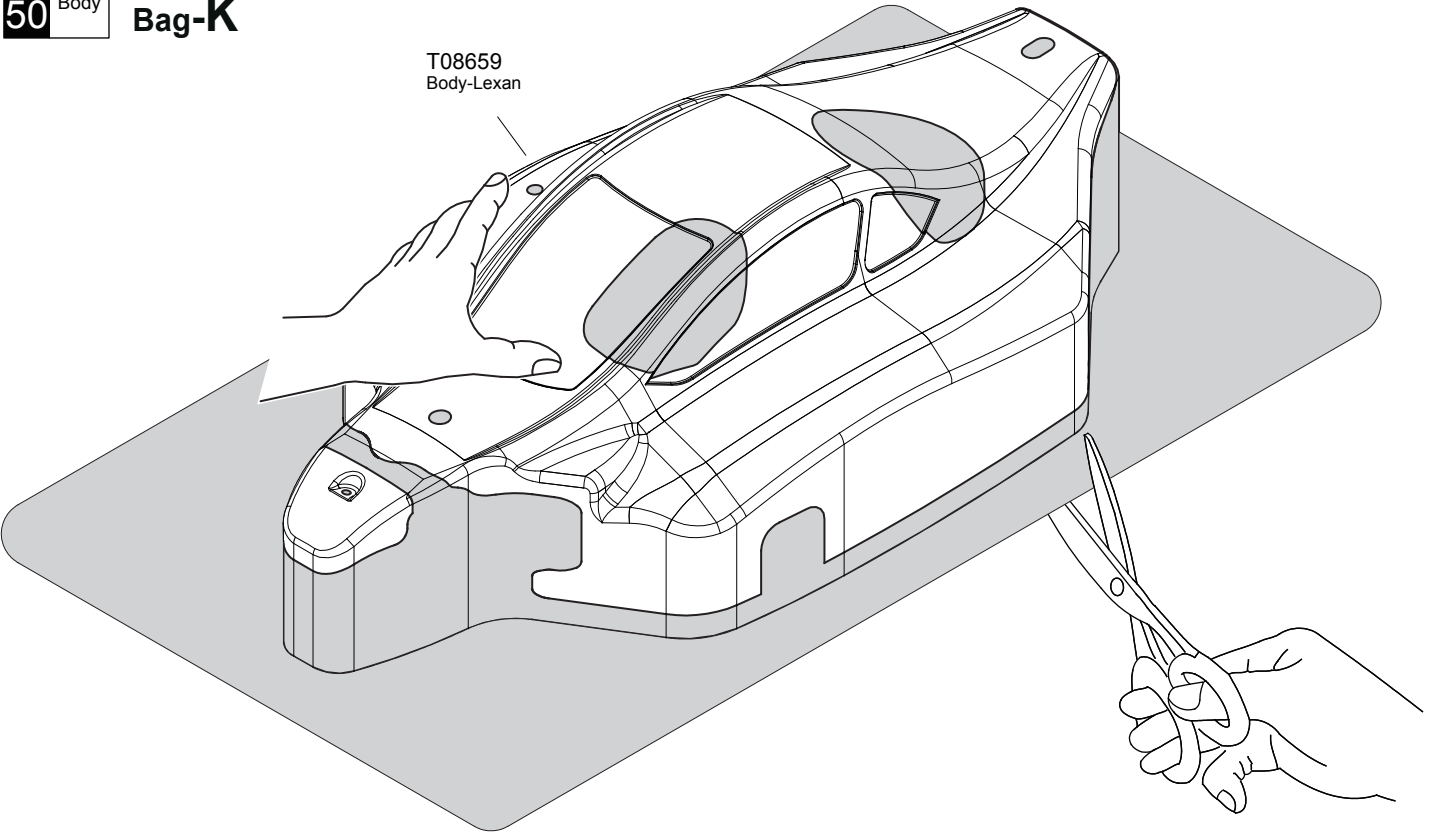
49 Tyre **Bag-D Bag-E**

T08649 17mm Hex Nut



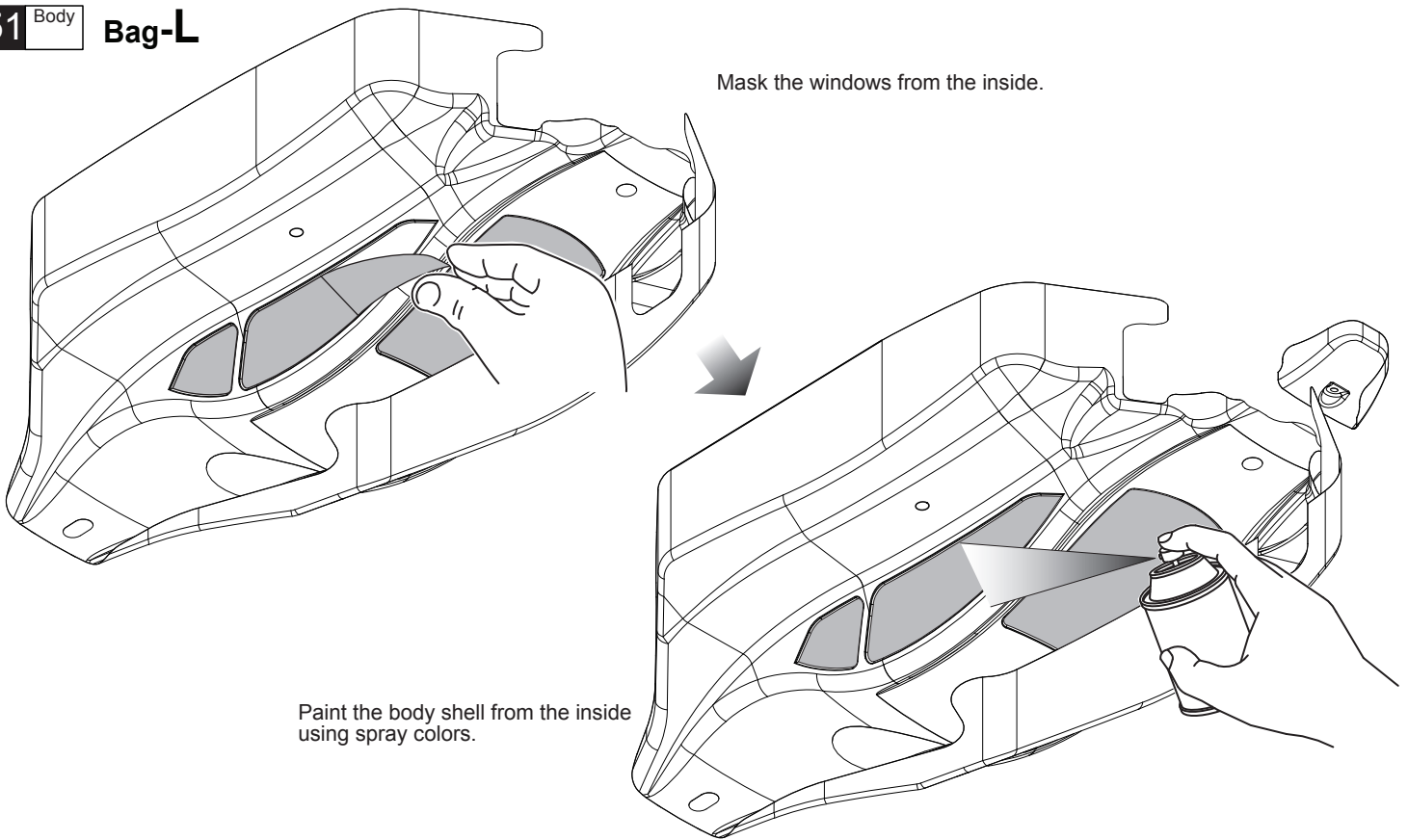
50 Body **Bag-K**

T08659
Body-Lexan



51 Body Bag-L

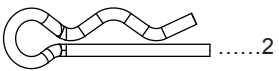
Mask the windows from the inside.



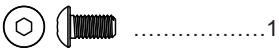
Paint the body shell from the inside using spray colors.

52 Body Bag-L

T08660 Mid Clip



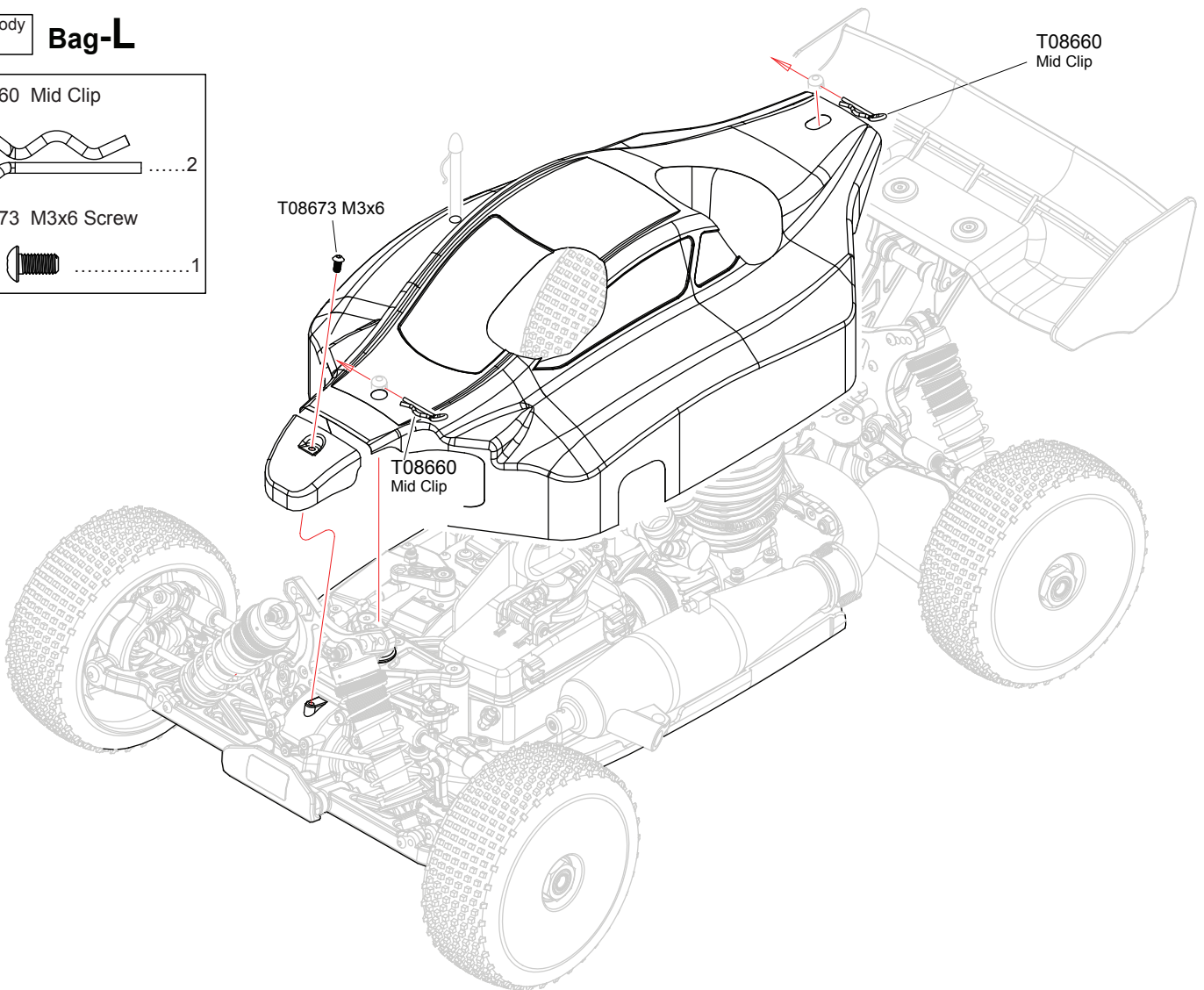
T08673 M3x6 Screw



T08660 Mid Clip

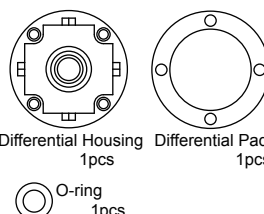
T08673 M3x6

T08660 Mid Clip



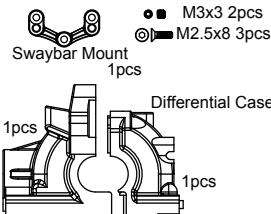
Parts list for T8 off-road buggy - 1

T08600



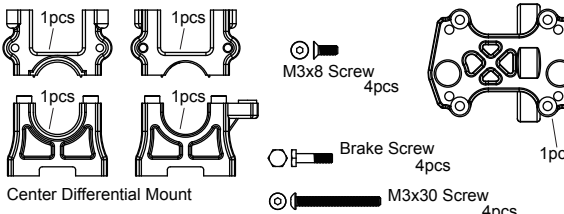
Differential Housing 1pcs
Differential Pads 1pcs
O-ring 1pcs

T08601



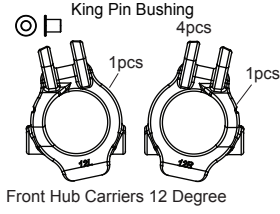
Swaybar Mount 1pcs
Differential Case 1pcs
M3x3 2pcs
M2.5x8 3pcs

T08602



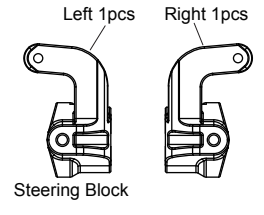
Center Differential Mount 1pcs
M3x8 Screw 4pcs
Brake Screw 4pcs
M3x30 Screw 4pcs
Center Differential Mount 1pcs

T08603



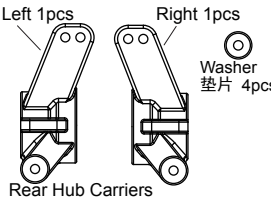
King Pin Bushing 4pcs
Front Hub Carriers 12 Degree 1pcs

T08604



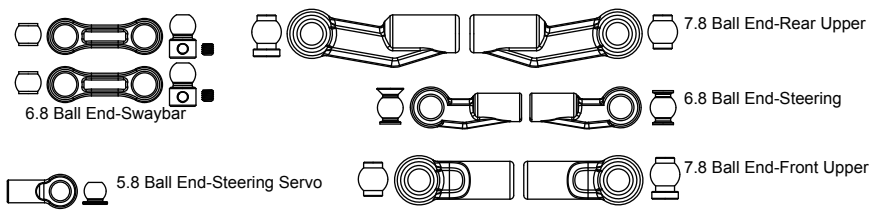
Left 1pcs
Right 1pcs
Steering Block

T08605



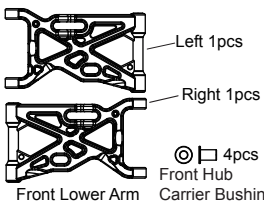
Left 1pcs
Right 1pcs
Washer 垫片 4pcs
Rear Hub Carriers

T08606



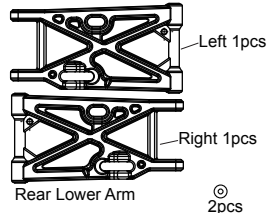
6.8 Ball End-Swaybar
7.8 Ball End-Rear Upper
6.8 Ball End-Steering
7.8 Ball End-Front Upper
5.8 Ball End-Steering Servo

T08607



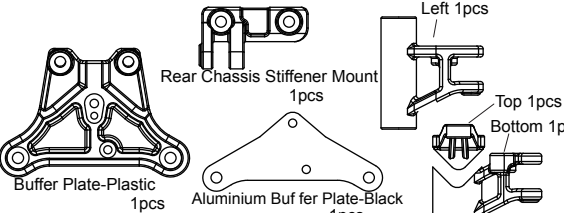
Left 1pcs
Right 1pcs
Front Hub Carrier Bushing 4pcs
Front Lower Arm

T08608



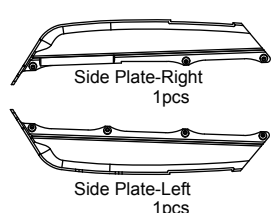
Left 1pcs
Right 1pcs
Rear Lower Arm
2pcs

T08609



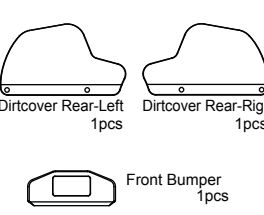
Rear Chassis Stiffener Mount 1pcs
Buffer Plate-Plastic 1pcs
Aluminium Buffer Plate-Black 1pcs
Left 1pcs
Top 1pcs
Bottom 1pcs

T08610



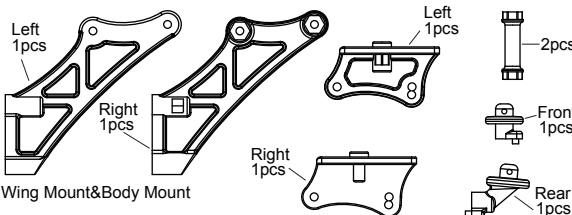
Side Plate-Right 1pcs
Side Plate-Left 1pcs

T08611



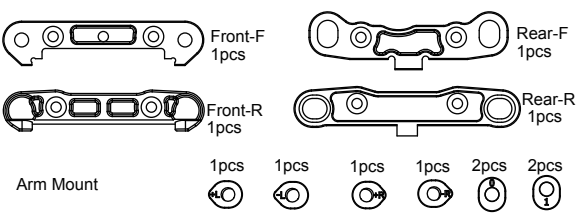
Dirtcover Rear-Left 1pcs
Dirtcover Rear-Right 1pcs
Front Bumper 1pcs

T08612



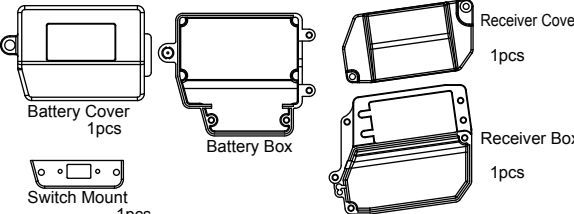
Left 1pcs
Right 1pcs
Wing Mount&Body Mount
Left 1pcs
Right 1pcs
2pcs
Front 1pcs
Rear 1pcs

T08613



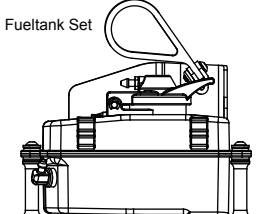
Arm Mount 1pcs
Front-F 1pcs
Front-R 1pcs
Rear-F 1pcs
Rear-R 1pcs
1pcs 1pcs 1pcs 1pcs 2pcs 2pcs

T08614



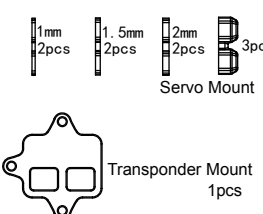
Battery Cover 1pcs
Battery Box
Receiver Cover 1pcs
Receiver Box 1pcs
Switch Mount 1pcs

T08615



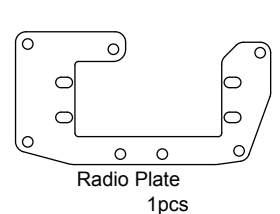
Fuel Tank Set

T08616



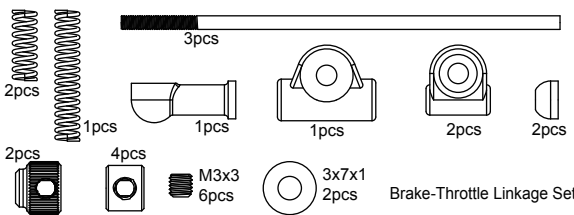
Servo Mount 1mm 2pcs 1.5mm 2pcs 2mm 2pcs 3pcs
Transponder Mount 1pcs

T08617



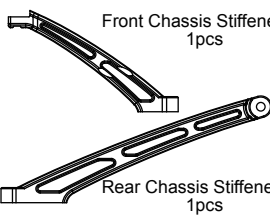
Radio Plate 1pcs

T08618



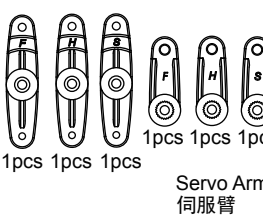
3pcs
2pcs
1pcs
1pcs
1pcs
2pcs
2pcs
2pcs
4pcs
M3x3 6pcs
3x7x1 2pcs
Brake-Throttle Linkage Set

T08619



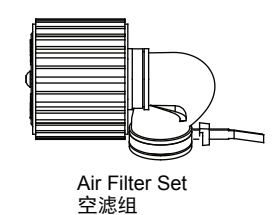
Front Chassis Stiffener 1pcs
Rear Chassis Stiffener 1pcs

T08620



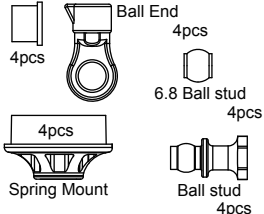
Servo Arm 伺服臂 1pcs 1pcs 1pcs 1pcs 1pcs 1pcs

T08621



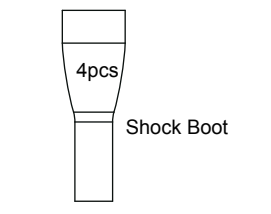
Air Filter Set 空滤组

T08622



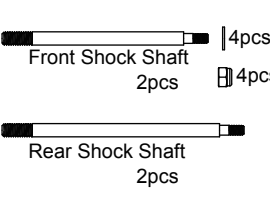
Ball End 4pcs
4pcs
6.8 Ball stud 4pcs
4pcs
Ball stud 4pcs
Spring Mount

T08623



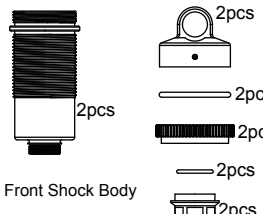
Shock Boot 4pcs

T08624



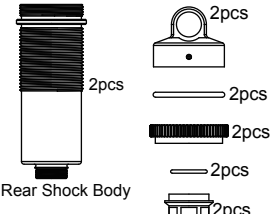
Front Shock Shaft 4pcs
Rear Shock Shaft 2pcs
2pcs 4pcs

T08625



Front Shock Body 2pcs
2pcs 2pcs 2pcs 2pcs 2pcs

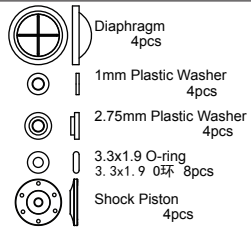
T08626



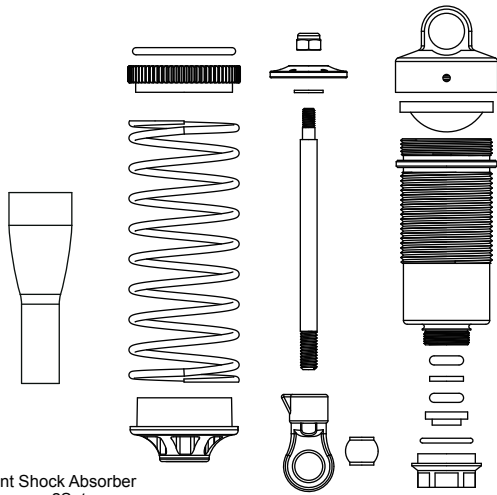
Rear Shock Body 2pcs
2pcs 2pcs 2pcs 2pcs

Parts list for T8 off-road buggy - 2

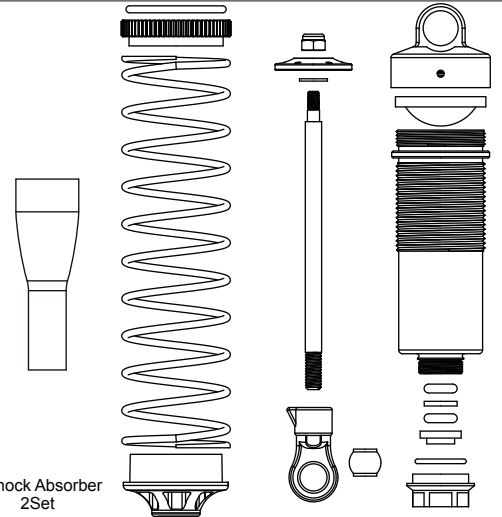
T08627



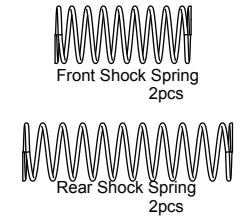
T08629



T08630



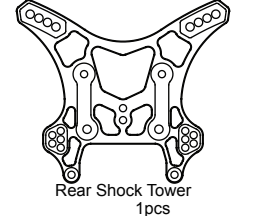
T08628



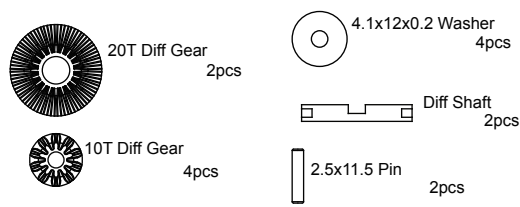
T08631



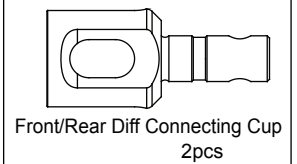
T08632



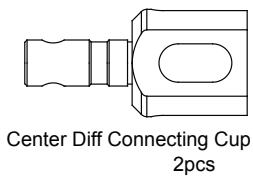
T08633



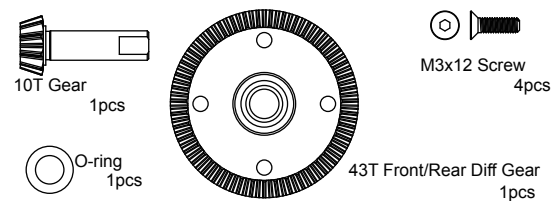
T08634



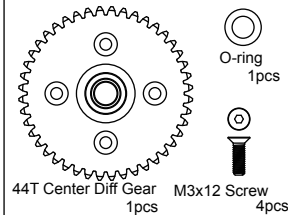
T08635



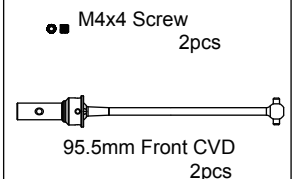
T08636



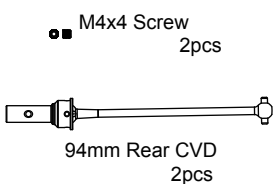
T08638



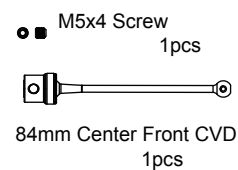
T08639



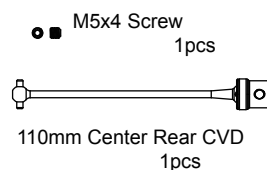
T08640



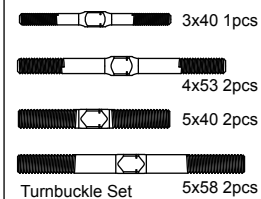
T08641



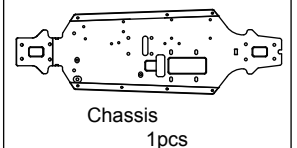
T08642



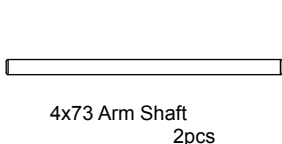
T08643



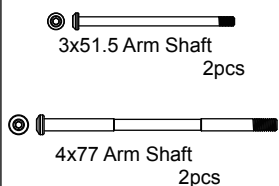
T08644



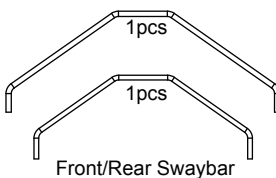
T08645



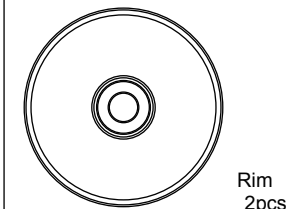
T08646



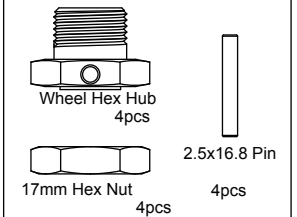
T08647



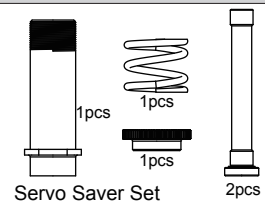
T08648



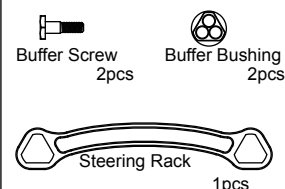
T08649



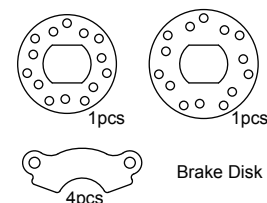
T08650



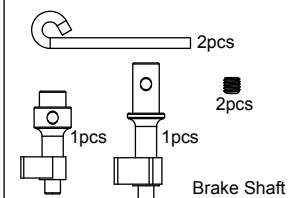
T08651



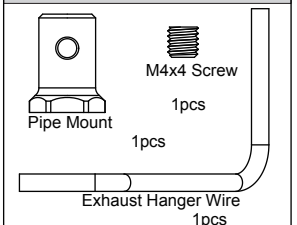
T08652



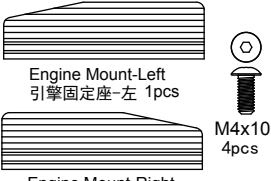
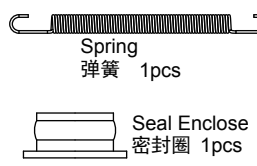
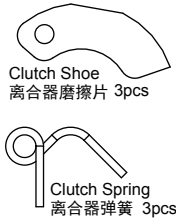
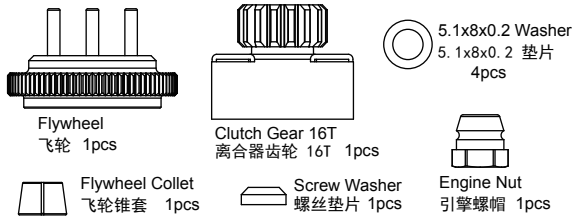
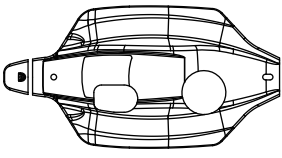





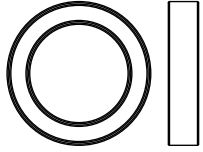
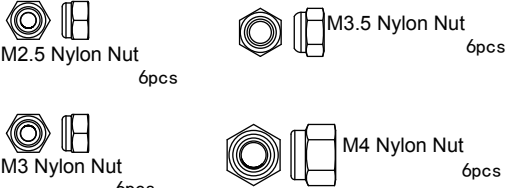

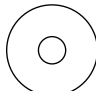
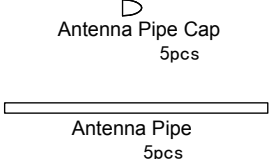
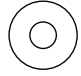
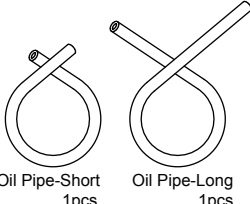
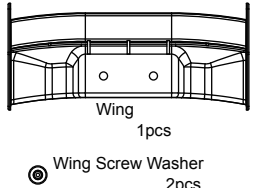
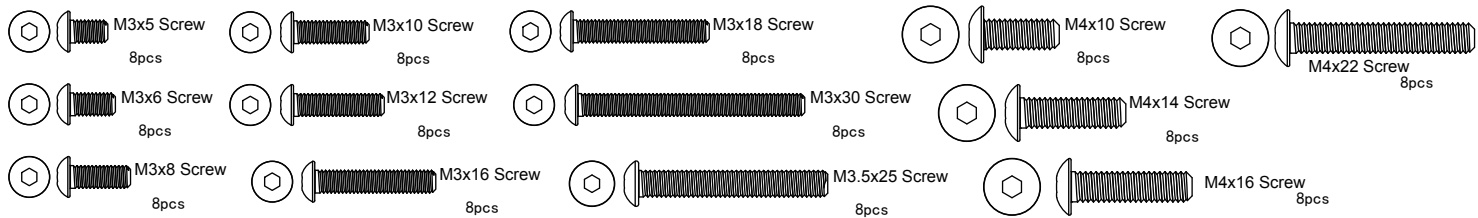
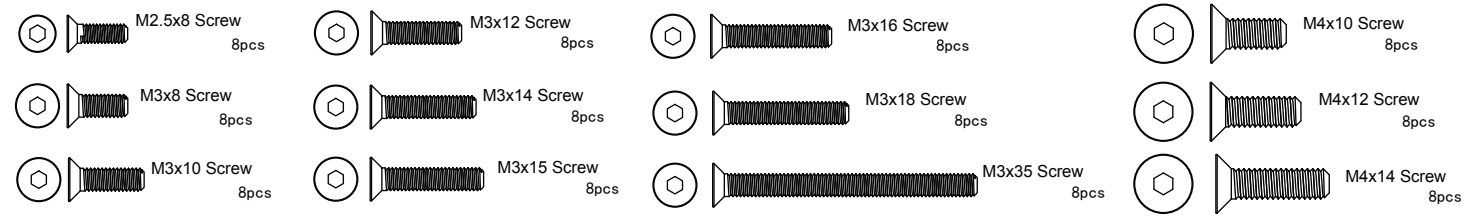
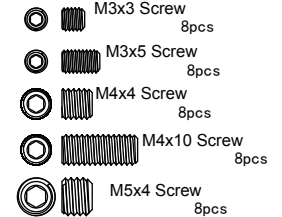
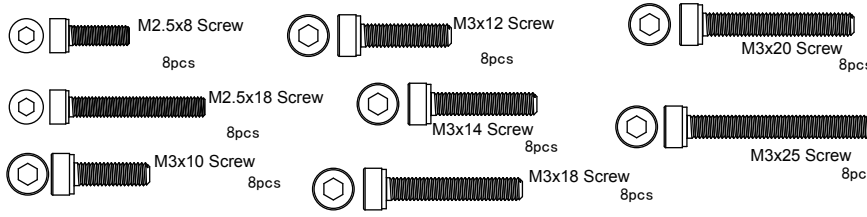

T08653



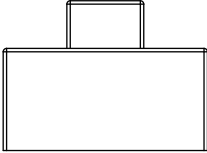

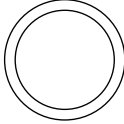

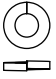

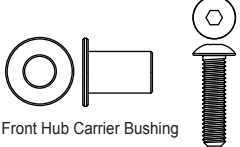
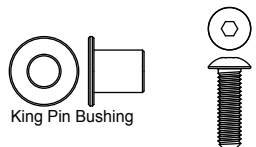

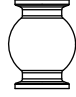

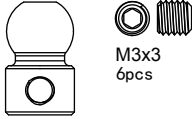
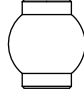
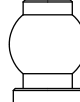

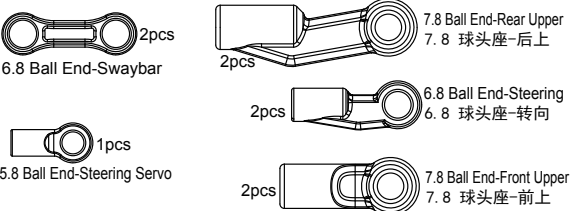
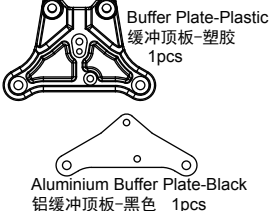
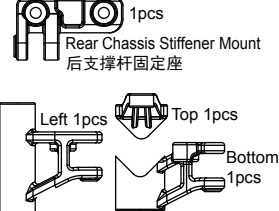
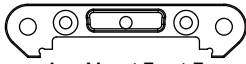

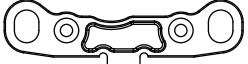

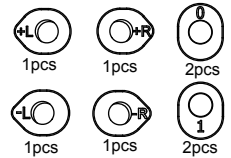
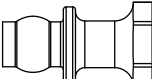
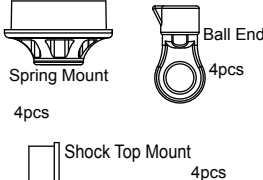
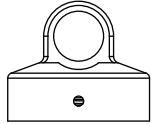
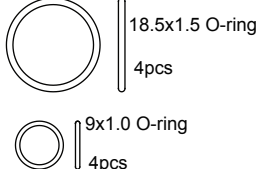
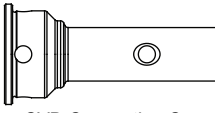
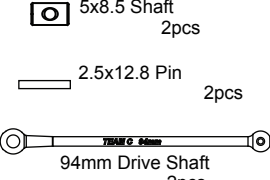
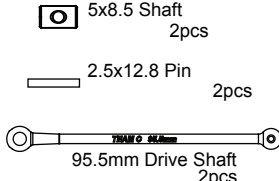




T08654




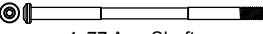
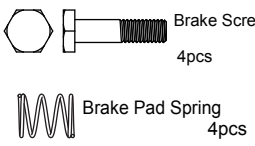
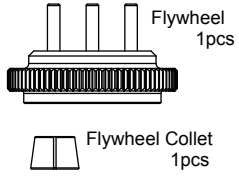
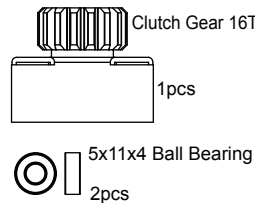
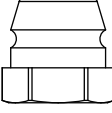
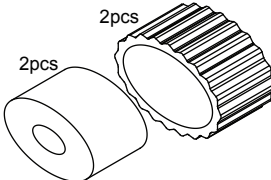
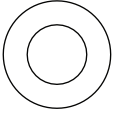
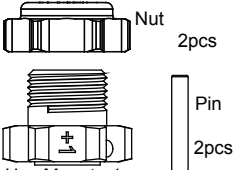
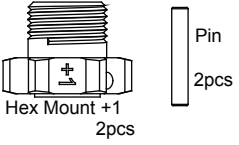
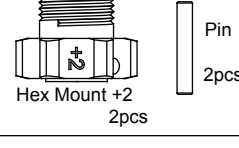
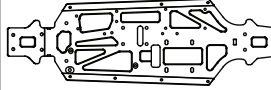
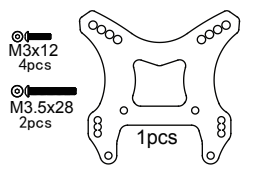
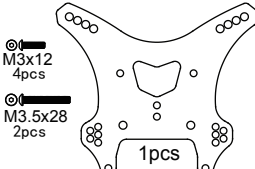
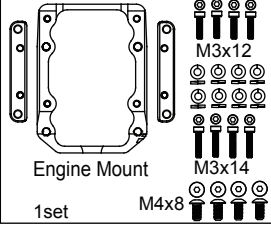
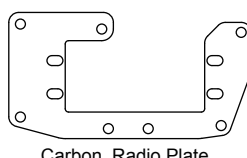
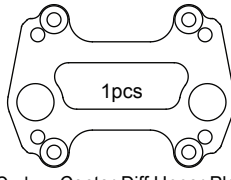
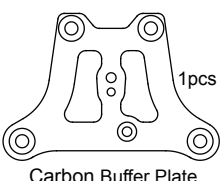
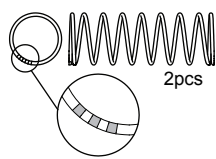
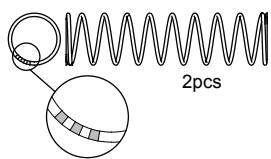
Parts list for T8 off-road buggy - 3

<p>T08655</p>  <p>Engine Mount-Left 引擎固定座-左 1pcs</p> <p>Engine Mount-Right 引擎固定座-右 1pcs</p> <p>M4x10 4pcs</p>	<p>T08656</p>  <p>Spring 弹簧 1pcs</p> <p>Seal Enclose 密封圈 1pcs</p>	<p>T08657</p>  <p>Clutch Shoe 离合器磨擦片 3pcs</p> <p>Clutch Spring 离合器弹簧 3pcs</p>	<p>T08658</p>  <p>Flywheel 飞轮 1pcs</p> <p>Clutch Gear 16T 离合器齿轮 16T 1pcs</p> <p>Flywheel Collet 飞轮锥套 1pcs</p> <p>Screw Washer 螺丝垫片 1pcs</p> <p>Engine Nut 引擎螺帽 1pcs</p> <p>5.1x8x0.2 Washer 5.1x8x0.2 垫片 4pcs</p>	
<p>T08659</p>  <p>Body-Lexan 车壳-PC 1pcs</p>	<p>T08660</p>  <p>Small Clip 小号固定夹 8pcs</p> <p>Mid Clip 中号固定夹 8pcs</p>	<p>T08661</p>  <p>5x11x4 Ball Bearing 5x11x4 轴承 6pcs</p>	<p>T08662</p>  <p>6x10x3 Ball Bearing 6x10x3 轴承 6pcs</p>	<p>T08663</p>  <p>6x13x5 Ball Bearing 6x13x5 轴承 6pcs</p>
<p>T08664</p>  <p>8x16x5 Ball Bearing 6pcs</p>	<p>T08665</p>  <p>13x19x4 Ball Bearing 6pcs</p>	<p>T08666</p>  <p>M2.5 Nylon Nut 6pcs</p> <p>M3 Nylon Nut 6pcs</p> <p>M3.5 Nylon Nut 6pcs</p> <p>M4 Nylon Nut 6pcs</p>	<p>T08667</p>  <p>2.7x5.8x0.5 Washer 6pcs</p>	
<p>T08668</p>  <p>4.1x12x0.2 Washer 6pcs</p>	<p>511123</p>  <p>Antenna Pipe Cap 5pcs</p> <p>Antenna Pipe 5pcs</p>	<p>T08670</p>  <p>3.5x9x1.0 Washer 6pcs</p>	<p>T08671</p>  <p>Oil Pipe-Short 1pcs</p> <p>Oil Pipe-Long 1pcs</p>	<p>T08672</p>  <p>Wing 1pcs</p> <p>Wing Screw Washer 2pcs</p>
<p>T08673</p>  <p>M3x5 Screw 8pcs</p> <p>M3x10 Screw 8pcs</p> <p>M3x18 Screw 8pcs</p> <p>M4x10 Screw 8pcs</p> <p>M4x22 Screw 8pcs</p> <p>M3x6 Screw 8pcs</p> <p>M3x12 Screw 8pcs</p> <p>M3x30 Screw 8pcs</p> <p>M4x14 Screw 8pcs</p> <p>M3x8 Screw 8pcs</p> <p>M3x16 Screw 8pcs</p> <p>M3.5x25 Screw 8pcs</p> <p>M4x16 Screw 8pcs</p>				
<p>T08674</p>  <p>M2.5x8 Screw 8pcs</p> <p>M3x8 Screw 8pcs</p> <p>M3x10 Screw 8pcs</p> <p>M3x12 Screw 8pcs</p> <p>M3x14 Screw 8pcs</p> <p>M3x15 Screw 8pcs</p> <p>M3x16 Screw 8pcs</p> <p>M3x18 Screw 8pcs</p> <p>M3x35 Screw 8pcs</p> <p>M4x10 Screw 8pcs</p> <p>M4x12 Screw 8pcs</p> <p>M4x14 Screw 8pcs</p>				
<p>T08675</p>  <p>M3x3 Screw 8pcs</p> <p>M3x5 Screw 8pcs</p> <p>M4x4 Screw 8pcs</p> <p>M4x10 Screw 8pcs</p> <p>M5x4 Screw 8pcs</p>	<p>T08676</p>  <p>M2.5x8 Screw 8pcs</p> <p>M2.5x18 Screw 8pcs</p> <p>M3x10 Screw 8pcs</p> <p>M3x12 Screw 8pcs</p> <p>M3x14 Screw 8pcs</p> <p>M3x18 Screw 8pcs</p> <p>M3x20 Screw 8pcs</p> <p>M3x25 Screw 8pcs</p>	<p>T08677</p>  <p>5x8x2.5 Ball bearing 6pcs</p>		

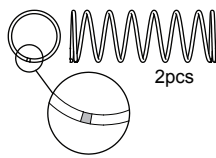
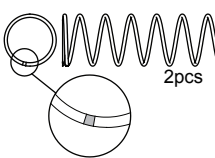
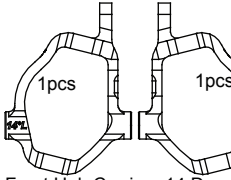
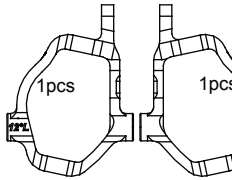
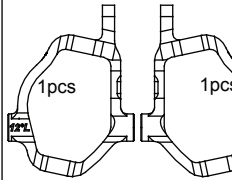
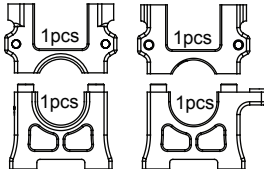
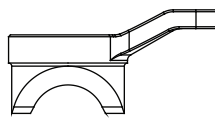
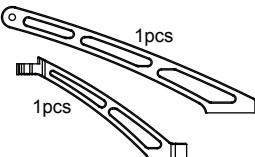
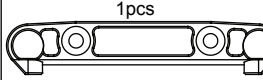
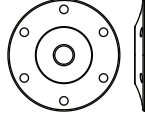
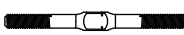
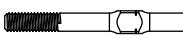
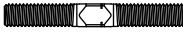
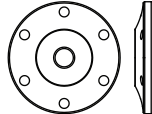
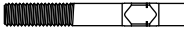
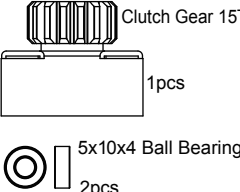
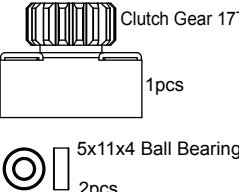
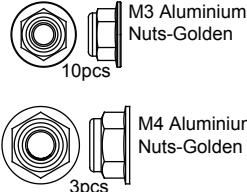
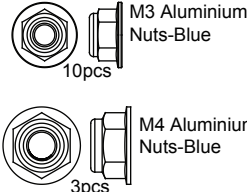
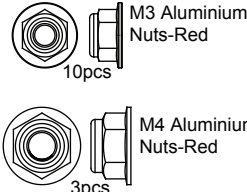
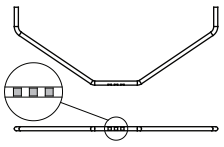
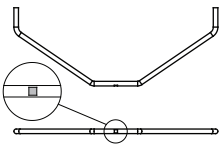
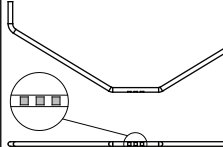
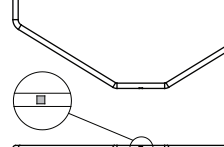
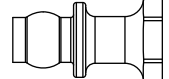
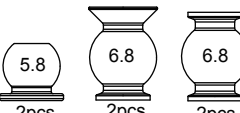
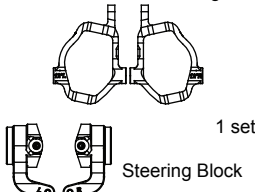
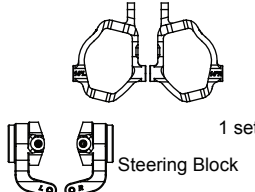
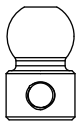
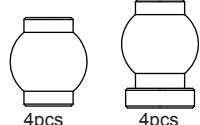
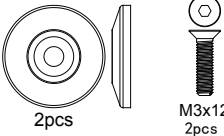


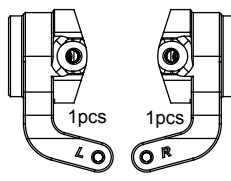
Parts list for T8 off-road buggy - 4

<p>T08102</p>  <p>Switch cover 1pcs</p>	<p>86000</p>  <p>5.1x8x0.2 Washer 6pcs</p>	<p>T08304</p>  <p>13.1x15.9x0.2 Washer 6pcs</p>	<p>T02081</p>  <p>3x7x0.8 Washer 10pcs</p>	<p>81005</p>  <p>M3 Spring Washer 6pcs</p>
<p>T08750</p>  <p>Buffer Screw 2pcs 3x7x0.8 Washer 2pcs</p>	<p>T08751</p>  <p>Front Hub Carrier Bushing 4pcs M4x16 4pcs</p>	<p>T08752</p>  <p>King Pin Bushing 4pcs M4x14 4pcs</p>	<p>T08753</p>  <p>6.8 Ball Stud-Steering 6pcs</p>	<p>T08754</p>  <p>6.8 Ball Stud-Steering 6pcs</p>
<p>T08755</p>  <p>6.8 Ball Stud-Swaybar/Shock 6pcs</p>	<p>T08756</p>  <p>6.8 Ball Stud-Swaybar 6pcs M3x3 6pcs</p>	<p>T08757</p>  <p>7.8 Ball Stud-Front/Rear Upper 6pcs</p>	<p>T08758</p>  <p>7.8 Ball Stud-Front/Rear Upper 6pcs</p>	<p>T08759</p>  <p>5.8 Ball Stud-Steering Servo 6pcs</p>
<p>T08760</p>  <p>6.8 Ball End-Swaybar 2pcs 5.8 Ball End-Steering Servo 1pcs 7.8 Ball End-Front Upper 2pcs</p>	<p>T08761</p>  <p>Buffer Plate-Plastic 1pcs 缓冲顶板-塑胶 1pcs Aluminium Buffer Plate-Black 1pcs 铝缓冲顶板-黑色 1pcs</p>	<p>T08762</p>  <p>Rear Chassis Stiffener Mount 1pcs 后支撑杆固定座 Left 1pcs Top 1pcs Bottom 1pcs</p>	<p>T08763</p>  <p>Arm Mount Front-F 摆臂固定座前-F 1pcs</p>	
<p>T08764</p>  <p>Arm Mount Front-R 摆臂固定座前-R 1pcs</p>	<p>T08765</p>  <p>Arm Mount Rear-F 1pcs</p>	<p>T08766</p>  <p>Arm Mount Rear-R 1pcs</p>	<p>T08767</p>  <p>Arm Adjust Set 1pcs 1pcs 2pcs 1pcs 1pcs 2pcs</p>	<p>T08768</p>  <p>Shock Top Ball stud 4pcs</p>
<p>T08769</p>  <p>Spring Mount 4pcs Ball End 4pcs Shock Top Mount 4pcs</p>	<p>T08770</p>  <p>Shock Absorber Top cover 4pcs</p>	<p>T08771</p>  <p>18.5x1.5 O-ring 4pcs 9x1.0 O-ring 4pcs</p>	<p>T08772</p>  <p>CVD Connecting Cup 2pcs</p>	<p>T08773</p>  <p>5x8.5 Shaft 2pcs 2.5x12.8 Pin 2pcs 94mm Drive Shaft 2pcs</p>
<p>T08774</p>  <p>5x8.5 Shaft 2pcs 2.5x12.8 Pin 2pcs 95.5mm Drive Shaft 2pcs</p>	<p>T08775</p>  <p>3x40 Turnbuckle 2pcs</p>	<p>T08776</p>  <p>4x53 Turnbuckle 2pcs</p>	<p>T08777</p>  <p>5x40 Turnbuckle 2pcs</p>	<p>T08778</p>  <p>5x58 Turnbuckle 2pcs</p>

Parts list for T8 off-road buggy - 5

<p>T08779</p>  <p>3x51.5 Arm Shaft 2pcs</p>	<p>T08780</p>  <p>4x77 Arm Shaft 2pcs</p>	<p>T08781</p>  <p>Brake Screw 4pcs Brake Pad Spring 4pcs</p>	<p>T08782</p>  <p>Flywheel 1pcs Flywheel Collet 1pcs</p>	<p>T08783</p>  <p>Clutch Gear 16T 1pcs 5x11x4 Ball Bearing 2pcs</p>
<p>T08784</p>  <p>Engine Nut 1pcs</p>	<p>T08785</p>  <p>Air Filter Sponge 2pcs</p>	<p>T08813 M4x14 Flat Head Hex Screw 8pcs T08814 M3x5 Set Screw 8pcs T08815 M4x10 Set Screw 8pcs T08816 M5x4 Set Screw 8pcs T08817 M2.5x8 Cap Head Screw 8pcs T08818 M2.5x18 Cap Head Screw 8pcs</p>		<p>T08669</p>  <p>6.1x11x0.2 Washer 6.1x11x0.2垫片 12pcs</p>
<p>T08786 M2.5 Nylon Nut 6pcs</p>		<p>T08819 M3x25 Cap Head Screw 8pcs</p>		<p>TU0801 OP</p>
<p>T08787 M3.5 Nylon Nut 6pcs</p>		<p>84002 M4x4 Set Screw 8pcs</p>		 <p>Nut 2pcs Pin 2pcs</p>
<p>T08788 M3x5 Button Head Hex Screw 8pcs</p>		<p>83001 M3x12 Cap Head Screw 8pcs</p>		 <p>Hex Mount +1 2pcs</p>
<p>T08789 M3x6 Button Head Hex Screw 8pcs</p>		<p>T08218 M3x10 Cap Head Screw 8pcs</p>		
<p>T08790 M3x8 Button Head Hex Screw 8pcs</p>		<p>T08219 M3x14 Cap Head Screw 8pcs</p>		
<p>T08791 M3x10 Button Head Hex Screw 8pcs</p>		<p>T08220 M3x18 Cap Head Screw 8pcs</p>		
<p>T08792 M3x12 Button Head Hex Screw 8pcs</p>		<p>T08306 Engine Screw Washer 6pcs</p>		<p>TU0802 OP</p>
<p>T08793 M3x15 Button Head Hex Screw 8pcs</p>		<p>511129 Mid Clip 10pcs</p>		 <p>Nut 2pcs Pin 2pcs</p>
<p>T08794 M3x16 Button Head Hex Screw 8pcs</p>		<p>511190 Small Clip 10pcs</p>		
<p>T08795 M3x18 Button Head Hex Screw 8pcs</p>		<p>84001 M3x3 Set Screw 8pcs</p>		
<p>T08796 M3x30 Button Head Hex Screw 8pcs</p>		<p>87004 M3 Nylon Nut 6pcs</p>		
<p>T08797 M3.5x25 Button Head Hex Screw 8pcs</p>		<p>87006 M4 Nylon Nut 6pcs</p>		
<p>T08798 M4x10 Button Head Hex Screw 8pcs</p>		<p>TU0808 OP</p>	<p>TU0810 OP</p>	<p>TU0812 OP</p>
<p>T08799 M4x14 Button Head Hex Screw 8pcs</p>		 <p>3mm Light Weight Chassis 1pcs</p>	 <p>Carbon Front Shock Tower 1pcs</p>	 <p>Carbon Rear Shock Tower 1pcs</p>
<p>T08800 M4x16 Button Head Hex Screw 8pcs</p>		<p>TU0813 OP</p>	<p>TU0815 OP</p>	<p>TU0818 OP</p>
<p>T08801 M4x22 Button Head Hex Screw 8pcs</p>		 <p>Engine Mount 1set</p>	 <p>Carbon Radio Plate 1pcs</p>	 <p>Carbon Center Diff Upper Plate 1pcs</p>
<p>T08802 M2.5x8 Flat Head Hex Screw 8pcs</p>		<p>TU0819 OP</p>	<p>TU0820 OP</p>	<p>TU0822 OP</p>
<p>T08803 M3x8 Flat Head Hex Screw 8pcs</p>		 <p>Carbon Buffer Plate 1pcs</p>	 <p>Front Shock Spring-Soft 2pcs</p>	 <p>Rear Shock Spring-Soft 2pcs</p>
<p>T08804 M3x10 Flat Head Hex Screw 8pcs</p>				
<p>T08805 M3x12 Flat Head Hex Screw 8pcs</p>				
<p>T08806 M3x14 Flat Head Hex Screw 8pcs</p>				
<p>T08807 M3x15 Flat Head Hex Screw 8pcs</p>				
<p>T08808 M3x16 Flat Head Hex Screw 8pcs</p>				
<p>T08809 M3x18 Flat Head Hex Screw 8pcs</p>				
<p>T08810 M3x35 Flat Head Hex Screw 8pcs M3x35平头内六角螺丝</p>				
<p>T08811 M4x10 Flat Head Hex Screw 8pcs</p>				
<p>T08812 M4x12 Flat Head Hex Screw 8pcs</p>				

Parts list for T8 off-road buggy - 6

<p>TU0824 OP</p>  <p>2pcs</p> <p>Front Shock Spring-Hard</p>	<p>TU0826 OP</p>  <p>2pcs</p> <p>Rear Shock Spring-Hard</p>	<p>TU0829 OP</p>  <p>1pcs 1pcs</p> <p>Front Hub Carriers 14 Degree</p>	<p>TU0830 OP</p>  <p>1pcs 1pcs</p> <p>Front Hub Carriers 12 Degree</p>	<p>TU0834 OP</p>  <p>1pcs 1pcs</p> <p>Front Hub Carriers 10 Degree</p>
<p>TU0833 OP</p>  <p>1pcs 1pcs 1pcs 1pcs</p> <p>Center Diff Mount</p>	<p>TU0835 OP</p>  <p>Servo Saver</p> <p>1pcs</p>	<p>TU0836 OP</p>  <p>1pcs 1pcs</p> <p>Chassis Stiffener F/R</p>	<p>TU0839 OP</p>  <p>1pcs</p> <p>Front Arm Mount-Rear</p>	<p>TU0842 OP</p>  <p>2pcs</p> <p>Piston 1.2x6-Black</p>
<p>TU0844 OP</p>  <p>3x40 Titan Turnbuckle</p> <p>1pcs</p>	<p>TU0845 OP</p>  <p>4x52 Titan Turnbuckle</p> <p>2pcs</p>	<p>TU0846 OP</p>  <p>5x40 Titan Turnbuckle</p> <p>2pcs</p>	<p>TU0847 OP</p>  <p>2pcs</p> <p>Piston 1.4x6-White</p>	<p>TU0848 OP</p>  <p>5x58 Titan Turnbuckle</p> <p>2pcs</p>
<p>TU0855 OP</p>  <p>Clutch Gear 15T</p> <p>1pcs</p> <p>5x10x4 Ball Bearing</p> <p>2pcs</p>	<p>TU0857 OP</p>  <p>Clutch Gear 17T</p> <p>1pcs</p> <p>5x11x4 Ball Bearing</p> <p>2pcs</p>	<p>TU0860G OP</p>  <p>M3 Aluminium Nuts-Golden</p> <p>10pcs</p> <p>M4 Aluminium Nuts-Golden</p> <p>3pcs</p>	<p>TU0861B OP</p>  <p>M3 Aluminium Nuts-Blue</p> <p>10pcs</p> <p>M4 Aluminium Nuts-Blue</p> <p>3pcs</p>	<p>TU0862R OP</p>  <p>M3 Aluminium Nuts-Red</p> <p>10pcs</p> <p>M4 Aluminium Nuts-Red</p> <p>3pcs</p>
<p>TU0866 OP</p>  <p>Front Sway Bar 2.3</p> <p>1pcs</p>	<p>TU0867 OP</p>  <p>Front Sway Bar 2.6</p> <p>1pcs</p>	<p>TU0868 OP</p>  <p>Rear Sway Bar 2.6</p> <p>1pcs</p>	<p>TU0869 OP</p>  <p>Rear Sway Bar 3.0</p> <p>1pcs</p>	<p>TU0870 OP</p>  <p>4pcs</p> <p>Shock Top Ball stud-Aluminium</p>
<p>TU0871 OP</p>  <p>5.8 6.8 6.8</p> <p>2pcs 2pcs 2pcs</p> <p>5.8/6.8mm Ball Stud-Aluminium</p>	<p>TU0872 OP</p> <p>Front Hub Carriers 12 Degree</p>  <p>1 set</p> <p>Steering Block</p>	<p>TU0874 OP</p> <p>Front Hub Carriers 14 Degree</p>  <p>1 set</p> <p>Steering Block</p>	<p>TU0875 OP</p>  <p>4pcs</p> <p>6.8 Swaybar Ball Stud-Aluminium</p>	<p>TU0876 OP</p>  <p>4pcs 4pcs</p> <p>7.8mm Arm Ball Stud-Aluminium</p>
<p>TU0877 OP</p>  <p>2pcs</p> <p>M3x12 2pcs</p> <p>Wing Washer-Aluminium</p>	<p>TU0878 OP</p>  <p>Diff Shaft-Aluminium</p> <p>6pcs</p>	<p>TU0879 OP</p>  <p>Servo Saver Shaft-Aluminium</p> <p>2pcs</p>	<p>TU0831 OP</p>  <p>1pcs 1pcs</p> <p>Steering Block</p>	<p></p>

T8



Driver _____
 Track / City _____
 Event _____ Date ____ / ____ / ____

SETUP SHEET for the TeamC T8

Track Condition

Smooth Bumpy Low traction Med traction High traction

Sandy Soft dirt Grass Hard soil Clay Wet Dry Dusty Other

Front Suspension Shock Mounting&Camber link

Anti-roll bar: _____ mm
 Camber _____ °

Degree _____ °

Ride height _____ mm

Front Shocks

Spring _____
 Oil _____ wt
 Piston # _____

Rear Suspension Shock Mounting&Camber link

Anti-roll bar: _____ mm
 Camber _____ °

Degree _____ °

Wheelbase
 Long
 Medium
 Short

Ride height _____ mm

Rear Shocks

Spring _____
 Oil _____ wt
 Piston # _____

Tires

Brand _____
 Compound _____
 Insert _____
 Wheel _____

Front

Brand _____
 Compound _____
 Insert _____
 Wheel _____

Rear

Note _____

Diff

Brand _____
 Oil wt _____

Front

Brand _____
 Oil wt _____

Center

Brand _____
 Oil wt _____

Rear

Motor

Engine _____
 Glow plug _____
 Spur _____
 Pinion _____
 Fuel _____
 Clutch _____
 Pipe _____

Note _____



HOBBYPRO COMPANY LTD.

Flat C-D, 5/F.,

Speedy Ind. BLDG.,

114 How Ming Street,

Kwun Tong, KLN., Hong Kong.

Team C Headquarter

www.teamcracing.net

Team C America

www.teamcamerica.com

Team C Europe

www.teamceurope.com